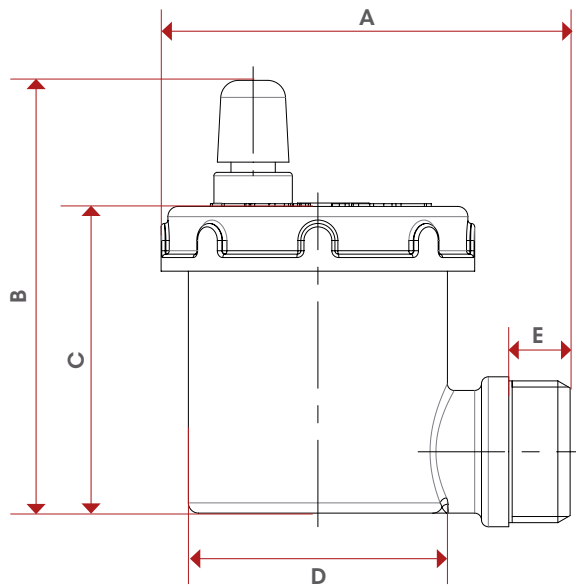


364



TEC



| | 3/8" | 1/2" |
|------------------------|------|------|
| A | 60 | 60 |
| B | 63,5 | 63,5 |
| C | 45 | 45 |
| D | 38 | 38 |
| E | 9 | 9 |
| Kg/cm ² bar | 10 | 10 |
| LBS - psi | 145 | 145 |