

CRE, CRIE, CRNE for Hydro 2000, 1~

- Ⓜ GB Installation and operating instructions
- Ⓜ D Montage- und Betriebsanleitung
- Ⓜ PL Instrukcja montażu i eksploatacji
- Ⓜ RU Руководство по монтажу и эксплуатации
- Ⓜ F Notice d'installation et d'entretien
- Ⓜ I Istruzioni di installazione e funzionamento
- Ⓜ E Instrucciones de instalación y funcionamiento
- Ⓜ P Instruções de instalação e funcionamento
- Ⓜ GR Οδηγίες εγκατάστασης και λειτουργίας
- Ⓜ NL Installatie- en bedieningsinstructies
- Ⓜ S Monterings- och driftsinstruktion
- Ⓜ DK Monterings- og driftsinstruktion



Declaration of Conformity

We **GRUNDFOS** declare under our sole responsibility that the products **CRE, CRIE** and **CRNE for Hydro 2000**, to which this declaration relates, are in conformity with the Council Directives on the approximation of the laws of the EEC Member States relating to

- Machinery (98/37/EEC).
Standard used: EN 292.
- Electromagnetic compatibility (89/336/EEC).
Standard used: EN 61 800-3.
- Electrical equipment designed for use within certain voltage limits (73/23/EEC).
Standards used: EN 60 335-1 and EN 60 335-2-51.

Deklaracja zgodności

My, **GRUNDFOS**, oświadczamy z pełną odpowiedzialnością, że nasze wyroby **CRE, CRIE** oraz **CRNE dla Hydro 2000**, których deklaracja niniejsza dotyczy, są zgodne z następującymi wytycznymi Rady d/s ujednoczenia przepisów prawnych krajów członkowskich EWG:

- maszyny (98/37/EWG),
zastosowana norma: EN 292.
- zgodność elektromagnetyczna (89/336/EWG),
zastosowana norma: EN 61 800-3.
- wyposażenie elektryczne do stosowania w określonym zakresie napięć (73/23/EWG),
zastosowane normy: EN 60 335-1 i EN 60 335-2-51.

Déclaration de Conformité

Nous **GRUNDFOS** déclarons sous notre seule responsabilité que les produits **CRE, CRIE** et **CRNE pour Hydro 2000** auxquels se réfère cette déclaration sont conformes aux Directives du Conseil concernant le rapprochement des législations des Etats membres CEE relatives à

- Machines (98/37/CEE).
Standard utilisé: EN 292.
- Compatibilité électromagnétique (89/336/CEE).
Standard utilisé: EN 61 800-3.
- Matériel électrique destiné à employer dans certaines limites de tension (73/23/CEE).
Standards utilisés: EN 60 335-1 et EN 60 335-2-51.

Declaración de Conformidad

Nosotros **GRUNDFOS** declaramos bajo nuestra única responsabilidad que los productos **CRE, CRIE** y **CRNE para Hydro 2000** a los cuales se refiere esta declaración son conformes con las Directivas del Consejo relativas a la aproximación de las legislaciones de los Estados Miembros de la CEE sobre

- Máquinas (98/37/CEE).
Norma aplicada: EN 292.
- Compatibilidad electromagnética (89/336/CEE).
Norma aplicada: EN 61 800-3.
- Material eléctrico destinado a utilizarse con determinados límites de tensión (73/23/CEE).
Normas aplicadas: EN 60 335-1 y EN 60 335-2-51.

Δήλωση Συμμόρφωσης

Εμείς η **GRUNDFOS** δηλώνουμε με αποκλειστικά δική μας ευθύνη ότι τα προϊόντα **CRE, CRIE** και **CRNE για Hydro 2000** συμμορφώνονται με την Οδηγία του Συμβουλίου επί της σύγκλισης των νόμων των Κρατών Μελών της Ευρωπαϊκής Ένωσης σε σχέση με τα

- Μηχανήματα (98/37/EEC).
Πρότυπο που χρησιμοποιήθηκε: EN 292.
- Ηλεκτρομαγνητική συμβατότητα (89/336/EEC).
Πρότυπο που χρησιμοποιήθηκε: EN 61 800-3.
- Ηλεκτρικές συσκευές σχεδιασμένες για χρήση εντός ορισμένων ορίων ηλεκτρικής τάσης (73/23/EEC).
Πρότυπα που χρησιμοποιήθηκαν: EN 60 335-1 και EN 60 335-2-51.

Försäkran om överensstämmelse

Vi **GRUNDFOS** försäkrar under ansvar, att produkterna **CRE, CRIE** och **CRNE till Hydro 2000**, som omfattas av denna försäkran, är i överensstämmelse med Rådets Direktiv om inbördes närmande till EU-medlemsstaternas lagstiftning, avseende

- Maskinell utrustning (98/37/EC).
Använd standard: EN 292.
- Elektromagnetisk kompatibilitet (89/336/EC).
Använd standard: EN 61 800-3.
- Elektrisk material avsedd för användning inom vissa spänningsgränser (73/23/EC).
Använda standarder: EN 60 335-1 och EN 60 335-2-51.

Konformitätserklärung

Wir **GRUNDFOS** erklären in alleiniger Verantwortung, daß die Produkte **CRE, CRIE** und **CRNE für Hydro 2000**, auf die sich diese Erklärung bezieht, mit den folgenden Richtlinien des Rates zur Angleichung der Rechtsvorschriften der EG-Mitgliedstaaten übereinstimmen:

- Maschinen (98/37/EWG).
Norm, die verwendet wurde: EN 292.
- Elektromagnetische Verträglichkeit (89/336/EWG).
Norm, die verwendet wurde: EN 61 800-3.
- Elektrische Betriebsmittel zur Verwendung innerhalb bestimmter Spannungsgrenzen (73/23/EWG).
Normen, die verwendet wurden: EN 60 335-1 und EN 60 335-2-51.

Свидетельство о соответствии требованиям

Мы, фирма **GRUNDFOS**, со всей ответственностью заявляем, что изделия **CRE, CRIE** и **CRNE для Hydro 2000**, к которым и относится данное свидетельство, отвечают требованиям следующих указаний Совета ЕЭС об унификации законодательных предписаний стран-членов ЕЭС:

- Машиностроение (98/37/EWG).
Применявшиеся стандарты: Евростандарт EN 292.
- Электромагнитная совместимость (89/336/EWG).
Применявшиеся стандарты: Евростандарт EN 61 800-3.
- Электрические машины для эксплуатации в пределах определенного диапазона значений напряжения (73/23/EWG).
Применявшиеся стандарты: Евростандарт EN 60 335-1 и EN 60 335-2-51.

Dichiarazione di Conformità

Noi **GRUNDFOS** dichiariamo sotto la nostra esclusiva responsabilità che i prodotti **CRE, CRIE** e **CRNE per Hydro 2000**, ai quali questa dichiarazione si riferisce, sono conformi alle Direttive del consiglio concernenti il ravvicinamento delle legislazioni degli Stati membri CEE relative a

- Macchine (98/37/CEE).
Standard usato: EN 292.
- Compatibilità elettromagnetica (89/336/CEE).
Standard usato: EN 61 800-3.
- Materiale elettrico destinato ad essere utilizzato entro certi limiti di tensione (73/23/CEE).
Standard usati: EN 60 335-1 e EN 60 335-2-51.

Declaração de Conformidade

Nós **GRUNDFOS** declaramos sob nossa única responsabilidade que os produtos **CRE, CRIE** e **CRNE para Hydro 2000** aos quais se refere esta declaração estão em conformidade com as Directivas do Conselho das Comunidades Europeias relativas à aproximação das legislações dos Estados Membros respeitantes à

- Máquinas (98/37/CEE).
Norma utilizada: EN 292.
- Compatibilidade electromagnética (89/336/CEE).
Norma utilizada: EN 61 800-3.
- Material eléctrico destinado a ser utilizado dentro de certos limites de tensão (73/23/CEE).
Normas utilizadas: EN 60 335-1 e EN 60 335-2-51.

Overeenkomstigheidsverklaring

Wij **GRUNDFOS** verklaren geheel onder eigen verantwoordelijkheid dat de producten **CRE, CRIE** en **CRNE voor Hydro 2000** waarop deze verklaring betrekking heeft in overeenstemming zijn met de Richtlijnen van de Raad inzake de onderlinge aanpassing van de wetgevingen van de Lid-Staten betreffende

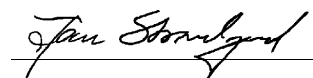
- Machines (98/37/EEG).
Norm: EN 292.
- Elektromagnetische compatibiliteit (89/336/EEG).
Norm: EN 61 800-3.
- Elektrisch materiaal bestemd voor gebruik binnen bepaalde spanningsgrenzen (73/23/EEG).
Normen: EN 60 335-1 en EN 60 335-2-51.

Overensstemmelseserklæring

Vi **GRUNDFOS** erklærer under ansvar, at produkterne **CRE, CRIE** og **CRNE til Hydro 2000**, som denne erklæring omhandler, er i overensstemmelse med Rådets direktiver om indbyrdes tilnærmelse til EF medlemsstaternes lovgivning om

- Maskiner (98/37/EØF).
Anvendt standard: EN 292.
- Elektromagnetisk kompatibilitet (89/336/EØF).
Anvendt standard: EN 61 800-3.
- Elektrisk materiel bestemt til anvendelse inden for visse spændingsgrænser (73/23/EØF).
Anvendte standarder: EN 60 335-1 og EN 60 335-2-51.

Bjerringbro, 1st January 2001



Jan Strandgaard
Technical Manager

CRE, CRIE, CRNE for Hydro 2000, 1~

Installation and operating instructions	Page	4	GB
Montage- und Betriebsanleitung	Seite	8	D
Instrukcja montażu i eksploatacji	Strona	13	PL
Руководство по монтажу и эксплуатации	Стр.	18	RU
Notice d'installation et d'entretien	Page	24	F
Istruzioni di installazione e funzionamento	Pag.	28	I
Instrucciones de instalación y funcionamiento	Pág.	32	E
Instruções de instalação e funcionamento	Pág.	36	P
Οδηγίες εγκατάστασης και λειτουργίας	Σελίδα	40	GR
Installatie- en bedieningsinstructies	Pag.	44	NL
Monterings- och driftsinstruktion	Sida	48	S
Monterings- og driftsinstruktion	Side	52	DK

CONTENTS

	Page
1. General	4
2. Installation	4
2.1 Electrical connection	4
2.1.1 Mains switch	4
2.1.2 Protection against electric shock – indirect contact	4
2.1.3 Additional protection	4
2.1.4 Motor protection	4
2.1.5 Overvoltage protection	4
2.1.6 Supply voltage	4
2.1.7 Start/stop of pump	5
2.2 Other connections	5
2.3 Signal cables	5
3. Pump control	5
3.1 Pump speed control	5
3.2 Start/stop input	5
4. Indicator lights and signal relay	6
5. Megging	6
6. Technical data	7
6.1 Supply voltage	7
6.2 Leakage current	7
6.3 Inputs/output	7
6.4 Other technical data	7
6.5 Sound pressure level	7
7. Disposal	7



Before beginning installation procedures, these installation and operating instructions should be studied carefully. **Furthermore, the enclosed installation and operating instructions for the standard pump should be studied carefully.** The installation and operation should also be in accordance with local regulations and accepted codes of good practice.

1. General

GRUNDFOS basic E-pumps are pumps fitted with standard motors incorporating a frequency converter.

The pump incorporates inputs for external potential-free contacts for start/stop and an external setpoint signal as well as an output for a potential-free signal.

The pump speed and thus the pump performance can be remote-controlled by means of an external 0-10 V signal or a potentiometer.

2. Installation

To ensure cooling of motor and electronics, the following must be observed:

- Place the pump in such a way that sufficient cooling is ensured.
- The temperature of the cooling air must not exceed 40°C.
- Motor cooling fins and fan blades must be kept clean.

For further installation, see installation and operating instructions for the standard pump.

2.1 Electrical connection

Note: The user or the installer is responsible for the installation of the correct earthing and protection according to valid national and local standards. All operations must be carried out by a qualified electrician.



Never make any connections in the pump terminal box unless the electricity supply has been switched off for at least 5 minutes.

2.1.1 Mains switch

The pump must be connected to an external all-pole mains switch with a contact separation of at least 3 mm in each pole according to IEC 364.

2.1.2 Protection against electric shock – indirect contact

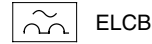


The pump must be earthed and protected against indirect contact in accordance with national regulations.

Protective earth conductors must always have a yellow/green (PE) or yellow/green/blue (PEN) colour marking.

2.1.3 Additional protection

If the pump is connected to an electric installation where an earth leakage circuit breaker is used as additional protection, this circuit breaker must be marked with the following symbol:



ELCB

Note: When an earth leakage circuit breaker is selected, the total leakage current of all the electrical equipment in the installation must be taken into account.

The leakage current of the pump can be found in section 6.2 *Leakage current*.

2.1.4 Motor protection

The pump requires no external motor protection. The motor incorporates thermal protection against slow overloading and blocking (IEC 34-11: TP 211).

2.1.5 Overvoltage protection

The pump is overvoltage-protected through built-in varistors between phase-neutral and phase-earth.

2.1.6 Supply voltage

1 x 200-240 V ±10%, 50/60 Hz, PE.

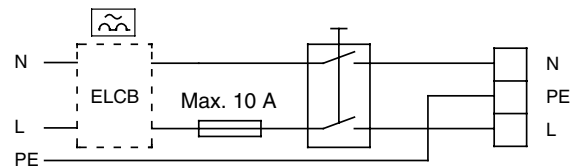
The supply voltage and frequency are marked on the pump nameplate. Please make sure that the motor is suitable for the electricity supply on which it will be used.

The wires in the pump terminal box must be as short as possible. Excepted from this is the protective earth conductor which must be so long that it is the last one to be disconnected in case the cable is inadvertently pulled out of the cable entry.

Figure 1 shows an example of a mains-connected pump with mains switch, back-up fuses and additional protection.

Fig. 1

MGE 71 and MGE 80

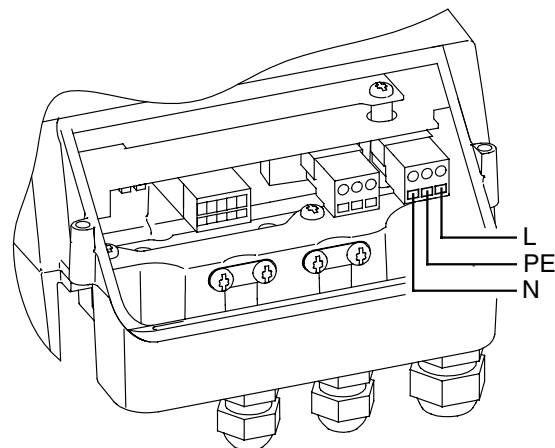


TM02 0792 0101

Actual mains connection is shown in fig. 2.

Fig. 2

MGE 71 and MGE 80



TM02 1234 0701

2.1.7 Start/stop of pump

The number of starts and stops via the mains voltage must not exceed 4 times per hour.

If a higher number of starts and stops is desired, the input for external start/stop must be used when starting/stopping the pump.

When the pump is switched on via the mains, the pump will start after approx. 5 seconds.

2.2 Other connections

The connection terminals of external potential-free contacts for start/stop, external setpoint signal and relay signal are shown in fig. 3.

Note: If no external on/off switch is connected, short-circuit terminals 2 and 3 using a short wire.

Note: As a precaution, the wires to be connected to the following connection groups must be separated from each other by reinforced insulation in their entire lengths:

- Inputs** (external start/stop and setpoint signal, terminals 2 to 6).

All inputs (group 1) are internally separated from the mains-conducting parts by reinforced insulation and galvanically separated from other circuits.

All control terminals are supplied by protective extra-low voltage (PELV), thus ensuring protection against electric shock.

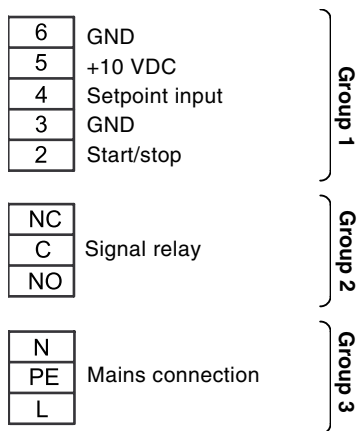
- Output** (signal relay, terminals NC, NO, C).

The output (group 2) is galvanically separated from other circuits. Therefore, the supply voltage or protective extra-low voltage can be connected to the output as desired.

- Supply voltage** (terminals L and N).

A galvanically safe separation must fulfil the requirements for reinforced insulation including creepage distances and clearances specified in EN 50 178.

Fig. 3

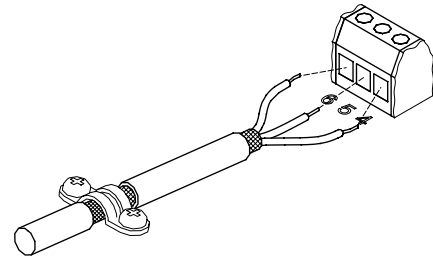


TM02 0793 0101

2.3 Signal cables

- Use screened cables having a cross-sectional area of min. 0.5 mm² and max. 1.5 mm² for external on/off switch and setpoint signal.
- The screens of the cables must be connected to frame at both ends with good frame connection. They must be as close as possible to the terminals, fig. 4.

Fig. 4



TM00 7667 1696

- Screws for frame connections must always be tightened whether a cable is fitted or not.
- The wires in the pump terminal box must be as short as possible.

3. Pump control

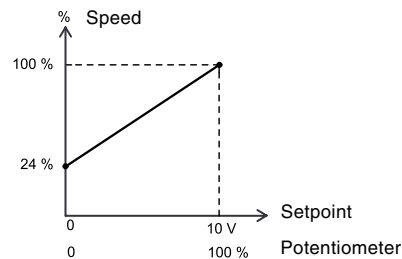
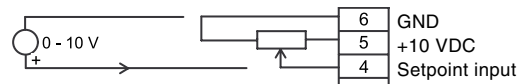
The pump can be connected to external signals for remote-control of pump performance.

3.1 Pump speed control

The pump speed can be set via the setpoint input, terminal 4.

It is possible to use either a 0-10 V signal or a potentiometer.

Fig. 5



TM02 0794 0101

The pump speed can set within the range from 24% to 100%.

3.2 Start/stop input

The pump can be started and stopped via an external potential-free contact connected to terminals 2 and 3.

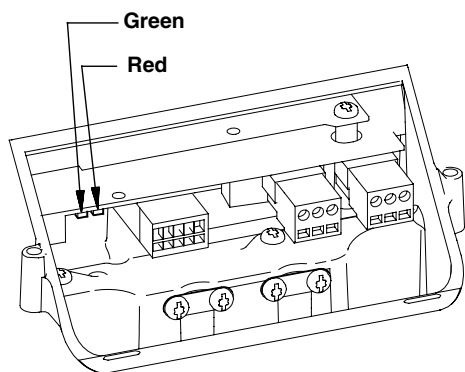
Functional diagram: Start/stop input:

Start/stop (terminals 2 and 3)		
		Normal duty
		Stop

4. Indicator lights and signal relay

The operating condition of the pump is indicated by the green and red indicator lights in the pump terminal box, fig. 6.

Fig. 6



The pump incorporates an output for a potential-free signal via an internal relay.

The functions of the two indicator lights and the signal relay are as shown in the following table:

Indicator lights		Contact position of signal relay	Description
Fault (red)	Operation (green)		
Off	Off		The electricity supply has been switched off.
Off	Permanently on		The pump is operating.
Off	Flashing		The pump has been set to stop.
Permanently on	Off		The pump has stopped because of a fault. Restarting will be attempted (it may be necessary to restart the pump by resetting the fault indication).
Permanently on	Permanently on		The pump is operating, but it has been stopped because of a fault.
Permanently on	Flashing		The pump has been set to stop, but it has been stopped because of a fault.

In case of a fault indication, the cause may be one of the following:

- Too high motor temperature
- Undervoltage
- Overvoltage
- Too many restarts (after faults)
- Overload
- Dry running
- Other fault

A fault indication can be reset in one of the following ways:

- By briefly opening the connection between terminals 2 and 3 (stops the pump).
- By briefly switching off the electricity supply to the pump.

5. Megging

Note: Megging of an installation incorporating E-pumps is not allowed, as the built-in electronics may be damaged.

6. Technical data

See nameplates.

6.1 Supply voltage

Supply voltage to the pump

1 x 200-240 V \pm 10%, 50/60 Hz, PE.

Back-up fuse

Max. 10 A.

Standard as well as quick-blow or slow-blow fuses may be used.

6.2 Leakage current

Earth leakage current < 3.5 mA.

The leakage currents are measured in accordance with EN 60 355-1.

6.3 Inputs/output

Start/stop

External potential-free switch.

Voltage: 5 VDC.

Current: < 5 mA.

Screened cable.*

Setpoint signals

- Potentiometer
0-10 VDC, 10 k Ω (via internal voltage supply).
Screened cable.*
Maximum cable length: 100 m.
- Voltage signal
0-10 VDC, R_i > 50 k Ω .
Tolerance: +0%/-3% at maximum voltage signal.
Screened cable.*
Maximum cable length: 500 m.

Signal output

Potential-free changeover contact.

Maximum contact load: 250 VAC, 2 A.

Minimum contact load: 5 VDC, 1 mA.

Screened cable: 0.5 - 2.5 mm².

Maximum cable length: 500 m.

* Cross section min. 0.5 mm² and max. 1.5 mm².

6.4 Other technical data

EMC (electromagnetic compatibility)

EN 61 800-3.

The motor fulfils EN 50 178.

Enclosure class

Standard: IP 55 (IEC 34-5).

Insulation class

F (IEC 85).

Ambient temperature

During operation: -20°C to +40°C.

During storage/transport: -40°C to +60°C.

Relative air humidity

Maximum 95%.

6.5 Sound pressure level

The sound pressure level is lower than 70 dB(A).

7. Disposal

Disposal of this product or parts of it must be carried out according to the following guidelines:

1. Use the local public or private waste collection service.
2. In case such waste collection service does not exist or cannot handle the materials used in the product, please deliver the product or any hazardous materials from it to your nearest GRUNDFOS company or service workshop.

INHALTSVERZEICHNIS

	Seite
1. Sicherheitshinweise	8
1.1 Allgemeines	8
1.2 Kennzeichnung von Hinweisen	8
1.3 Personalqualifikation und -schulung	8
1.4 Gefahren bei Nichtbeachtung der Sicherheitshinweise	8
1.5 Sicherheitsbewußtes Arbeiten	8
1.6 Sicherheitshinweise für den Betreiber/Bediener	8
1.7 Sicherheitshinweise für Wartungs-, Inspektions- und Montagearbeiten	8
1.8 Eigenmächtiger Umbau und Ersatzteilherstellung	8
1.9 Unzulässige Betriebsweisen	8
2. Allgemeines	9
3. Montage	9
3.1 Elektrischer Anschluß	9
3.1.1 Netzschalter	9
3.1.2 Schutz gegen elektrische Schläge – indirektes Berühren	9
3.1.3 Zusätzlicher Schutz	9
3.1.4 Motorschutz	9
3.1.5 Überspannungsschutz	9
3.1.6 Versorgungsspannung	9
3.1.7 Ein- bzw. Ausschalten der Pumpe	9
3.2 Übrige Anschlüsse	10
3.3 Signalkabel	10
4. Steuerung der Pumpe	10
4.1 Steuerung der Pumpendrehzahl	10
4.2 Eingang für extern EIN/AUS	10
5. Meldeleuchten und Melderelais	11
5.1 Hochspannungstest	11
6. Technische Daten	12
6.1 Versorgungsspannung	12
6.2 Ableitstrom	12
6.3 Eingänge/Ausgang	12
6.4 Übrige technische Daten	12
6.5 Schalldruckpegel	12
7. Entsorgung	12

1. Sicherheitshinweise

1.1 Allgemeines

Diese Montage- und Betriebsanleitung enthält grundlegende Hinweise, die bei Aufstellung, Betrieb und Wartung zu beachten sind. Sie ist daher unbedingt vor Montage und Inbetriebnahme vom Monteur sowie dem zuständigen Fachpersonal/Betreiber zu lesen. Sie muß ständig am Einsatzort der Anlage verfügbar sein.

Es sind nicht nur die unter diesem Abschnitt "Sicherheitshinweise" aufgeführten, allgemeinen Sicherheitshinweise zu beachten, sondern auch die unter den anderen Abschnitten eingefügten, speziellen Sicherheitshinweise.

1.2 Kennzeichnung von Hinweisen



Die in dieser Montage- und Betriebsanleitung enthaltenen Sicherheitshinweise, die bei Nichtbeachtung Gefährdungen für Personen hervorrufen können, sind mit allgemeinem Gefahrensymbol "Sicherheitssymbol nach DIN 4844-W9" besonders gekennzeichnet.

Achtung

Dieses Symbol finden Sie bei Sicherheitshinweisen, deren Nichtbeachtung Gefahren für die Maschine und deren Funktionen hervorrufen kann.

Hinweis

Hier stehen Ratschläge oder Hinweise, die das Arbeiten erleichtern und für einen sicheren Betrieb sorgen.

Direkt an der Anlage angebrachte Hinweise wie z.B.

- Drehrichtungspfeil
- Kennzeichnung für Fluidanschlüsse

müssen unbedingt beachtet und in vollständig lesbarem Zustand gehalten werden.

1.3 Personalqualifikation und -schulung

Das Personal für Bedienung, Wartung, Inspektion und Montage muß die entsprechende Qualifikation für diese Arbeiten aufweisen. Verantwortungsbereich, Zuständigkeit und die Überwachung des Personals müssen durch den Betreiber genau geregelt sein.

1.4 Gefahren bei Nichtbeachtung der Sicherheitshinweise

Die Nichtbeachtung der Sicherheitshinweise kann sowohl eine Gefährdung für Personen als auch für die Umwelt und Anlage zur Folge haben. Die Nichtbeachtung der Sicherheitshinweise kann zum Verlust jeglicher Schadenersatzansprüche führen.

Im einzelnen kann Nichtbeachtung beispielsweise folgende Gefährdungen nach sich ziehen:

- Versagen wichtiger Funktionen der Anlage
- Versagen vorgeschriebener Methoden zur Wartung und Instandhaltung
- Gefährdung von Personen durch elektrische und mechanische Einwirkungen

1.5 Sicherheitsbewußtes Arbeiten

Die in dieser Montage- und Betriebsanleitung aufgeführten Sicherheitshinweise, die bestehenden nationalen Vorschriften zur Unfallverhütung sowie eventuelle interne Arbeits-, Betriebs- und Sicherheitsvorschriften des Betreibers, sind zu beachten.

1.6 Sicherheitshinweise für den Betreiber/Bediener

- Ein vorhandener Berührungsschutz für sich bewegende Teile darf bei einer sich in Betrieb befindlichen Anlage nicht entfernt werden.
- Gefährdungen durch elektrische Energie sind auszuschließen (Einzelheiten hierzu siehe z.B. in den Vorschriften des VDE und der örtlichen Energieversorgungsunternehmen).

1.7 Sicherheitshinweise für Wartungs-, Inspektions- und Montagearbeiten

Der Betreiber hat dafür zu sorgen, daß alle Wartungs-, Inspektions- und Montagearbeiten von autorisiertem und qualifiziertem Fachpersonal ausgeführt werden, das sich durch eingehendes Studium der Montage- und Betriebsanleitung ausreichend informiert hat.

Grundsätzlich sind Arbeiten an der Pumpe nur im Stillstand durchzuführen. Die in der Montage- und Betriebsanleitung beschriebene Vorgehensweise zum Stillsetzen der Anlage muß unbedingt eingehalten werden.

Unmittelbar nach Abschluß der Arbeiten müssen alle Sicherheits- und Schutzeinrichtungen wieder angebracht bzw. in Funktion gesetzt werden.

Vor der Inbetriebnahme ist die Montage- und Betriebsanleitung der Standardpumpe zu lesen.

1.8 Eigenmächtiger Umbau und Ersatzteilherstellung

Umbau oder Veränderungen an Pumpen sind nur nach Absprache mit dem Hersteller zulässig. Originalersatzteile und vom Hersteller autorisiertes Zubehör dienen der Sicherheit. Die Verwendung anderer Teile kann die Haftung für die daraus entstehenden Folgen aufheben.

1.9 Unzulässige Betriebsweisen

Die Betriebssicherheit der gelieferten Pumpen ist nur bei bestimmungsgemäßer Verwendung entsprechend Abschnitt 2. *Allgemeines* der Montage- und Betriebsanleitung gewährleistet. Die in den technischen Daten angegebenen Grenzwerte dürfen auf keinen Fall überschritten werden.

2. Allgemeines

GRUNDFOS E-Pumpen in Grundausführung sind Pumpen mit frequenzgesteuerten Normmotoren.

Die Pumpe besitzt Eingänge für externe potentialfreie Kontakte für extern EIN/AUS und ein externes Sollwertsignal. Die Pumpe hat einen Ausgang für ein potentialfreies Meldesignal.

Die Pumpendrehzahl und damit die Pumpenleistung können mit Hilfe eines externen 0-10 V Signals oder eines Potentiometers ferngesteuert werden.

3. Montage

Um eine ausreichende Kühlung des Motors und der Elektronik sicherzustellen, muß das Folgende beachtet werden:

- Die Pumpe muß so eingebaut werden, daß ausreichende Kühlung sichergestellt wird.
- Die Temperatur der Kühlluft darf nicht höher als 40°C sein.
- Die Kühlrippen und der Lüfterflügel müssen saubergehalten werden.

Für die weitere Montage, siehe Montage- und Betriebsanleitung der Standardpumpe.

3.1 Elektrischer Anschluß

Der Benutzer bzw. der Installateur ist für die Installation der korrekten Erdung und des korrekten Schutzes in Übereinstimmung mit den geltenden nationalen und örtlichen Normen zuständig. Alle Operationen müssen von Fachpersonal ausgeführt werden.

Achtung



Vor jedem Eingriff im Klemmenkasten der Pumpe muß die Versorgungsspannung mindestens 5 Min. abgeschaltet sein.

3.1.1 Netzschalter

Die Pumpe muß bauseits abgesichert und an einen externen allpoligen Netzschalter angeschlossen werden. Der Schalter muß eine Kontaktöffnung von mindestens 3 mm je Pol gemäß IEC 364 haben.

3.1.2 Schutz gegen elektrische Schläge – indirektes Berühren



Die Pumpe muß geerdet und gegen indirektes Berühren in Übereinstimmung mit den nationalen Vorschriften geschützt werden.

Schutzleiter müssen durch Farbgebung gelb/grün (PE) oder gelb/grün/blau (PEN) gekennzeichnet sein.

3.1.3 Zusätzlicher Schutz

Sollte, bedingt durch Netzform oder Forderung des EVU, die Schutzmaßnahme Fehlerstrom-Schutzschalter zur Anwendung kommen, müssen Fehlerstrom-Schutzschalter verwendet werden:

- die gemäß DIN VDE 0664 auch bei pulsierenden Gleichfehlerströmen (pulsstromsensitive Ausführung) auslösen.
- die bei Netzeinschaltung den Ladestromimpuls gegen Erde berücksichtigen.
- die für den Ableitstrom der Pumpe geeignet sind.

Treten impulsartige Fehlerströme infolge von transienten (kurzzeitigen) Netzüberspannungen und ungleichmäßiger Phasenbelastung bei Einschaltvorgängen auf, so sind FI-Schutzschalter in kurzzeitverzögerter Ausführung (VSK) zu empfehlen.

Die Schalter müssen mit dem gezeigten Symbol gekennzeichnet sein:



Hinweis **Bei der Wahl des FI-Schutzschalters ist auf den gesamten Ableitstrom aller elektrischen Ausrüstung der Anlage zu achten.**

Der Ableitstrom der Pumpe geht aus Abschnitt 6.2 *Ableitstrom* hervor.

3.1.4 Motorschutz

Die Pumpe benötigt keinen externen Motorschutz. Sie ist sowohl gegen langsam auftretende Überlastung als auch gegen Blockierung geschützt (IEC 34-11: TP 211).

3.1.5 Überspannungsschutz

Die Pumpe ist gegen Überspannungen mit Hilfe der zwischen Phase-Null und Phase-Erde eingebauten Varistoren geschützt.

3.1.6 Versorgungsspannung

1 x 200-240 V \pm 10%, 50/60 Hz, PE.

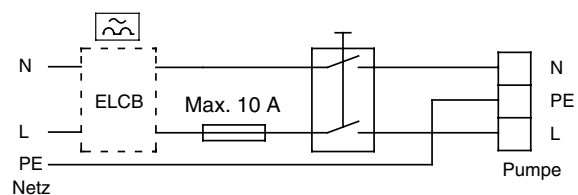
Es ist darauf zu achten, daß die auf dem Leistungsschild angegebenen elektrischen Daten mit der vorhandenen Stromversorgung übereinstimmen.

Die Leitungen im Pumpen-Klemmenkasten sind so kurz wie möglich zu halten. Mit Ausnahme des Schutzleiters, der so lang sein muß, daß er beim unbeabsichtigten Herausreißen des Kabels aus der Verschraubung als letzter Leiter abreißt.

Abb. 1 zeigt ein Beispiel einer ans Netz angeschlossenen Pumpe mit Netzschalter, Sicherungen und zusätzlichem Schutz.

Abb. 1

MGE 71 und MGE 80

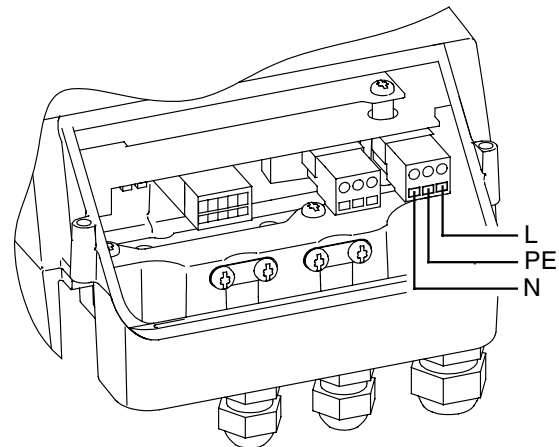


TM02 0792 0101

Der Netzanschluß ist in Abb. 2 gezeigt.

Abb. 2

MGE 71 und MGE 80



TM02 1234 0701

3.1.7 Ein- bzw. Ausschalten der Pumpe

Achtung **Ein-/Ausschalten der Pumpe über das Netz darf höchstens drei- bis viermal pro Stunde vorgenommen werden.**

Falls die Pumpe häufiger ein-/ausgeschaltet werden muß, ist der Eingang für extern EIN/AUS zum Ein-/Ausschalten der Pumpe zu benutzen.

Beim Einschalten über das Netz läuft die Pumpe erst nach 5 Sek. an.

3.2 Übrige Anschlüsse

Der Anschluß der externen potentialfreien Kontakte für extern EIN/AUS, ein externes Sollwertsignal und ein Meldesignal geht aus Abb. 3 hervor.

Hinweis

Wenn kein externer EIN-/AUS-Schalter angeschlossen wird, sind die Klemmen 2 und 3 mit einer kurzen Leitung zu überbrücken.



Aus Sicherheitsgründen müssen die Leitungen der folgenden Anschlußgruppen innerhalb ihres gesamten Verlaufes durch eine verstärkte Isolierung voneinander getrennt sein:



1. **Eingänge** (extern EIN/AUS und Sollwertsignal, Klemmen 2 bis 6).

Alle Eingänge (Gruppe 1) sind durch eine verstärkte Isolierung von den netzführenden Teilen getrennt und sind von anderen Stromkreisen galvanisch getrennt.

Die Versorgungsspannung an alle Steuerklemmen ist Schutzkleinspannung (PELV). Dadurch wird den Schutz gegen elektrische Schläge sichergestellt.

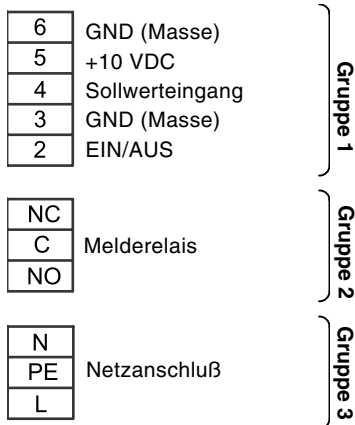
2. **Ausgang** (Melderelais, Klemmen NC, NO, C).

Der Ausgang (Gruppe 2) ist von anderen Stromkreisen galvanisch getrennt. Daher kann über diesen potentialfreien Ausgang bei Bedarf sowohl Netzspannung als auch Schutzkleinspannung geführt werden.

3. **Versorgungsspannung** (Klemmen L und N).

Eine galvanisch sichere Trennung muß die Anforderungen an verstärkte Isolierung mit zugehörigen Kriech- und Luftstrecken nach EN 50 178 erfüllen.

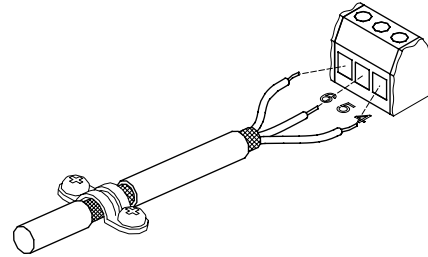
Abb. 3



3.3 Signalkabel

- Die Kabel für den externen EIN-/AUS-Schalter und das Sollwertsignal müssen abgeschirmt sein. Die Kabel müssen einen Querschnitt von min. 0,5 mm² und max. 1,5 mm² haben.
- Die Abschirmung der Kabel muß an beiden Enden an die Masseverbindung der Pumpe angeschlossen werden. Bei der Kabelabschirmung ist auf eine gute Masseverbindung zu achten. Die Abschirmung muß so dicht wie möglich an die Anschlußklemmen gelegt werden, Abb. 4.

Abb. 4



- Die Schrauben der Masseverbindung müssen immer fest angezogen sein, unabhängig davon ob ein Kabel montiert ist oder nicht.
- Die Leitungen im Pumpen-Klemmenkasten sind so kurz wie möglich zu halten.

4. Steuerung der Pumpe

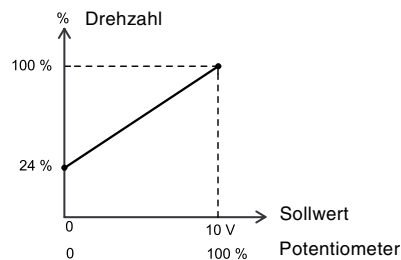
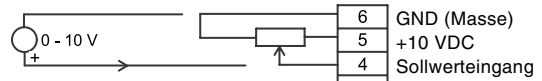
An die Pumpe läßt sich ein externes Signal zur Fernsteuerung der Pumpe anschließen.

4.1 Steuerung der Pumpendrehzahl

Die Pumpendrehzahl kann über den Sollwerteingang, Klemme 4, eingestellt werden.

Ein 0-10 V Signal oder ein Potentiometer kann verwendet werden.

Abb. 5



Die Pumpendrehzahl läßt sich im Bereich von 24% bis 100% einstellen.

4.2 Eingang für extern EIN/AUS

Die Pumpe kann über einen externen potentialfreien Kontakt ein- bzw. ausgeschaltet werden, der zwischen den Klemmen 2 und 3 angeschlossen ist.

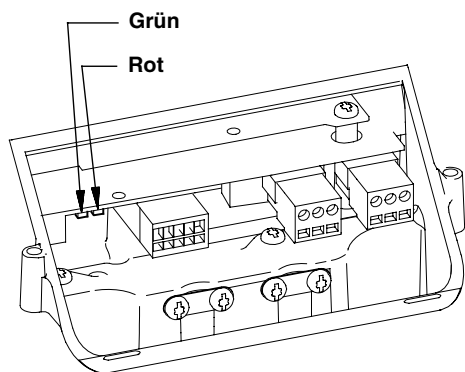
Funktionsdiagramm: Eingang für extern EIN/AUS:

Extern EIN/AUS (Klemme 2 und 3)		
		Normalbetrieb
		STOP

5. Meldeleuchten und Melderelais

Die Meldeleuchten (grün und rot) im Pumpen-Klemmenkasten zeigen den aktuellen Betriebszustand der Pumpe, Abb. 6.

Abb. 6



TM02 0838 0301



Meldeleuchten		Kontaktposition des Melderelais	Beschreibung
Störung (rot)	Betrieb (grün)		
Leuchtet nicht	Leuchtet nicht		Die Versorgungsspannung ist abgeschaltet.
Leuchtet nicht	Leuchtet konstant		Die Pumpe läuft.
Leuchtet nicht	Blinkt		Die Pumpe wurde ausgeschaltet.
Leuchtet konstant	Leuchtet nicht		Die Pumpe hat wegen einer Störung abgeschaltet und wird versuchen, neu zu starten (die Pumpe kann evtl. durch Quittierung der Störmeldung manuell eingeschaltet werden).
Leuchtet konstant	Leuchtet konstant		Die Pumpe läuft wieder, nachdem sie zuvor wegen einer Störung abgeschaltet hatte.
Leuchtet konstant	Blinkt		Die Pumpe wurde ausgeschaltet, hatte zuvor aber wegen einer Störung abgeschaltet.

Störmeldung erfolgt aufgrund folgender Ursachen:

- Zu hohe Motortemperatur
- Unterspannung
- Überspannung
- Zu viele Wiedereinschaltungen (nach Störung)
- Überlast
- Trockenlauf
- Andere Störung

Eine Störmeldung kann wie folgt quittiert werden:

- Durch kurzzeitiges Öffnen der Verbindung zwischen den Klemmen 2 und 3 (schaltet die Pumpe aus).
- Durch kurzzeitiges Abschalten der Versorgungsspannung zur Pumpe.

Die Pumpe bietet über ein internes Relais einen potentialfreien Meldeausgang.

Die Funktionen der beiden Meldeleuchten und des Melderelais gehen aus der folgenden Tabelle hervor:

5.1 Hochspannungstest

Hinweis

Eine Isolationswiderstandsprüfung darf nicht in einer Installation mit E-Pumpen vorgenommen werden, da dadurch die eingebaute Elektronik beschädigt werden kann.

6. Technische Daten

Siehe Leistungsschilder.

6.1 Versorgungsspannung

Versorgungsspannung zur Pumpe

1 x 200-240 V \pm 10%, 50/60 Hz, PE.

Vorsicherung

Motorgrößen von 0,37 bis 1,1 kW: Max. 10 A.

Die Vorsicherung kann sowohl eine Standardsicherung, eine träge Sicherung als auch eine flinke Sicherung sein.

6.2 Ableitstrom

Ableitstrom gegen Erde < 3,5 mA.

Die Ableitströme sind gemäß EN 60 355-1 gemessen.

6.3 Eingänge/Ausgang

EIN/AUS

Externer potentialfreier EIN-/AUS-Schalter.

Spannung: 5 VDC.

Strom: < 5 mA.

Abgeschirmtes Kabel.*

Sollwertsignale

- Potentiometer
0-10 VDC, 10 k Ω (über interne Spannungsversorgung).
Abgeschirmtes Kabel.*
Max. Kabellänge: 100 m.
- Spannungssignal
0-10 VDC, R_i > 50 k Ω .
Toleranz: +0%/-3% bei max. Spannungssignal.
Abgeschirmtes Kabel.*
Max. Kabellänge: 500 m.

Meldeausgang

Potentialfreier Umschaltkontakt.

Max. Kontaktbelastung: 250 VAC, 2 A.

Min. Kontaktbelastung: 5 VDC, 1 mA.

Abgeschirmtes Kabel: 0,5 - 2,5 mm².

Max. Kabellänge: 500 m.

* Querschnitt min. 0,5 mm² und max. 1,5 mm².

6.4 Übrige technische Daten

EMV (Elektromagnetische Verträglichkeit)

Die E-Pumpen entsprechen der Richtlinie EN 61 800-3.

Der Motor erfüllt EN 50 178.

Schutzart

Standard: IP 55 (gemäß IEC 34-5).

Wärmeklasse

F (gemäß IEC 85).

Umgebungstemperatur

Betrieb: -20°C bis +40°C.

Lagerung/Transport: -40°C bis +60°C.

Relative Luftfeuchtigkeit

Max. 95%.

6.5 Schalldruckpegel

Der Schalldruckpegel liegt unter 70 dB(A).

7. Entsorgung

Dieses Produkt sowie Teile davon müssen umweltgerecht entsorgt werden:

1. Hierfür sollten die örtlichen öffentlichen oder privaten Entsorgungsgesellschaften in Anspruch genommen werden.
2. Falls eine solche Organisation nicht vorhanden ist, oder die Annahme der im Produkt verwendeten Werkstoffe verweigert wird, kann das Produkt oder eventuelle umweltgefährdende Werkstoffe an die nächste GRUNDFOS Gesellschaft oder Werkstatt geliefert werden.



SPIS TREŚCI

	Strona
1. Wskazówki bezpieczeństwa	13
1.1 Informacje ogólne	13
1.2 Oznakowanie wskazówek bezpieczeństwa	13
1.3 Kwalifikacje i szkolenie personelu	13
1.4 Niebezpieczeństwa przy nieprzestrzeganiu wskazówek bezpieczeństwa	13
1.5 Bezpieczna praca	13
1.6 Wskazówki bezpieczeństwa dla użytkownika/ obsługującego	13
1.7 Wskazówki bezpieczeństwa dla prac konserwacyjnych, przeglądów i montażu	13
1.8 Samodzielna przebudowa i wykonywanie części zamiennych	13
1.9 Niedozwolony sposób eksploatacji	13
2. Informacje ogólne	14
3. Montaż	14
3.1 Przyłącza elektryczne	14
3.1.1 Wyłącznik główny	14
3.1.2 Zabezpieczenie przed porażeniem - kontakt pośredni	14
3.1.3 Zabezpieczenia dodatkowe	14
3.1.4 Zabezpieczenie silnika	14
3.1.5 Zabezpieczenie przed zbyt wysokim napięciem	14
3.1.6 Napięcie zasilania	14
3.1.7 Zał/wył pompy	14
3.2 Przyłącza pozostałe	15
3.3 Kable sygnałowe	15
4. Sterowanie pomp	15
4.1 Regulacja prędkości pompy	15
4.2 Wejście Zał/Wył	15
5. Lampki sygnalizacyjne i przekaźnik sygnału	16
6. Kontrola stanu izolacji	16
7. Dane techniczne	17
7.1 Zasilanie elektryczne	17
7.2 Prąd upływu	17
7.3 Wejścia/wyjścia	17
7.4 Pozostałe dane techniczne	17
7.5 Poziom hałasu	17
8. Utylizacja	17

1. Wskazówki bezpieczeństwa

1.1 Informacje ogólne

Niniejsza instrukcja eksploatacji zawiera podstawowe wskazówki, jakie uwzględnić należy podczas instalowania, eksploatacji i konserwacji. Dlatego też przed zainstalowaniem i uruchomieniem winien ją przeczytać zarówno monter, jak i użytkownik wzgl. jego personel fachowy. Instrukcja winna być stale dostępna w miejscu eksploatacji sprzętu.

Uwzględnić należy nie tylko ogólne wskazówki bezpieczeństwa, podane w rozdziale niniejszym, lecz także wskazówki specjalne, podawane w poszczególnych rozdziałach.

1.2 Oznakowanie wskazówek bezpieczeństwa



Wskazówki bezpieczeństwa podane w niniejszej instrukcji, których nieprzestrzeganie może stwarzać zagrożenie dla ludzi, oznaczono specjalnie ogólnym znakiem ostrzegawczym "Znak ostrzegawczy wg DIN 4844-W9".

Ten symbol znajduje się przy wskazówkach bezpieczeństwa, których nieprzestrzeganie może spowodować zagrożenia dla sprzętu i jego działania.

UWAGA

RADA

Tu podawane są rady lub wskazówki ułatwiające pracę i zwiększające bezpieczeństwo eksploatacji.

Należy bezwzględnie przestrzegać wskazówek umieszczonych bezpośrednio na sprzęcie, jak np.

- strzałek wskazujących kierunek obrotów
- oznakowań przyłączy

i utrzymywać te oznakowania w dobrze czytelnym stanie.

1.3 Kwalifikacje i szkolenie personelu

Personel wykonujący montaż, obsługę, przeglądy i konserwację sprzętu musi posiadać kwalifikacje niezbędne do wykonywania tych prac. Użytkownik winien dokładnie uregulować zakres kompetencji i odpowiedzialności oraz sprawy nadzoru nad tym personelem.

1.4 Niebezpieczeństwa przy nieprzestrzeganiu wskazówek bezpieczeństwa

Nieprzestrzeganie wskazówek bezpieczeństwa może spowodować zagrożenia, zarówno dla osób, jak i środowiska wzgl. samego sprzętu. Nieprzestrzeganie wskazówek bezpieczeństwa może spowodować utratę wszelkich praw odszkodowawczych.

Ich nieprzestrzeganie może w szczególności wywoływać np. następujące skutki:

- nieprawidłowe działanie sprzętu
- nieskuteczność zalecanych metod konserwacji i napraw
- zagrożenie osób oddziaływaniami elektrycznymi i mechanicznymi.

1.5 Bezpieczna praca

Przestrzegać należy podanych w niniejszej instrukcji wskazówek bezpieczeństwa, obowiązujących przepisów międzynarodowych o zapobieganiu wypadkom, oraz ewentualnych wewnętrznych instrukcji roboczych i eksploatacyjnych, oraz przepisów bezpieczeństwa obowiązujących u użytkownika.

1.6 Wskazówki bezpieczeństwa dla użytkownika/ obsługującego

- nie wolno usuwać istniejących osłon części ruchomych na urządzeniu znajdującym się w eksploatacji.
- wykluczyć zagrożenie prądem elektrycznym (szczegółowe wskazówki patrz np. w przepisach elektrotechnicznych i wytycznych lokalnego zakładu energetycznego).

1.7 Wskazówki bezpieczeństwa dla prac konserwacyjnych, przeglądów i montażu

Użytkownik winien zadbać, aby wszystkie prace konserwacyjne, przeglądowe i montażowe wykonywane były przez autoryzowany i wykwalifikowany personel fachowy, dostatecznie zaznajomiony ze sprzętem przez wnikliwe przestudiowanie instrukcji eksploatacji.

Prace przy urządzeniu należy z zasady wykonywać tylko po jego wyłączeniu. Należy bezwzględnie zachować opisany w instrukcji eksploatacji sposób wyłączania urządzenia.

Bezpośrednio po zakończeniu prac należy ponownie zamontować wzgl. uruchomić wszystkie urządzenia zabezpieczające i ochronne.

Przed ponownym uruchomieniem uwzględnić czynności opisane w punkcie 7. *Dane techniczne*.

1.8 Samodzielna przebudowa i wykonywanie części zamiennych

Przebudowy lub zmiany w pompie dozwolone są tylko po uzgodnieniu z producentem. Oryginalne części zamienne i autoryzowany przez producenta osprzęt służą zapewnieniu bezpieczeństwa. Za skutki stosowania innych części producent nie może ponosić odpowiedzialności.

1.9 Niedozwolony sposób eksploatacji

Bezpieczeństwo i niezawodność eksploatacyjna urządzenia są gwarantowane tylko przy eksploataowaniu go zgodnie z przeznaczeniem, określonym w punkcie 2. *Informacje ogólne* instrukcji montażu i eksploatacji. Nie wolno w żadnym przypadku przekraczać wartości granicznych, podanych w danych technicznych.

PL

2. Informacje ogólne

Pompy E firmy GRUNDFOS to pompy z silnikami MGE ze zintegrowaną przetwornicą częstotliwości.

Pompa posiada wejścia dla zewnętrznych styków bezpotencjałowych Zał/Wył i zewnętrznego sygnału wartości zadanej a także wyjście bezpotencjałowego sygnału gotowości.

Prędkość obrotową i osiągi pompy mogą być zdalnie regulowane zewnętrznym sygnałem 0-10 V lub potencjometrem.

3. Montaż

Dla zapewnienia dostatecznego chłodzenia silnika i elektroniki muszą być spełnione następujące warunki:

- pompę należy zainstalować tak, aby zapewnić jej wystarczające chłodzenie.
- temperatura powietrza chłodzącego nie może przekraczać 40°C.
- żebra chłodzące silnika i łopatki wentylatora należy utrzymywać w czystości.

Dalszy przebieg montażu - patrz instrukcja montażu i eksploatacji pompy standardowej.

3.1 Przyłącza elektryczne

UWAGA

Przyłącze elektryczne i niezbędne zabezpieczenia zgodne z normami i lokalnymi przepisami zakładu energetycznego powinien wykonać wykwalifikowany elektryk.



Nigdy nie wolno wykonywać jakichkolwiek przyłączy w skrzynce zaciskowej silnika, jeżeli napięcie zasilania nie zostało wyłączone przynajmniej 5 min. wcześniej.

3.1.1 Wyłącznik główny

Pompa musi być przyłączona do wielobiegowego wyłącznika głównego z min. 3 mm odstępem między stykami dla każdego biegunu zgodnie z IEC 364.

3.1.2 Zabezpieczenie przed porażeniem - kontakt pośredni



Pompa musi być uziemiona i zabezpieczona przed kontaktem pośrednim zgodnie z obowiązującymi przepisami.

Przewody uziemienia muszą być zawsze żółto/zielone (PE) lub żółto/zielono/niebieskie (PEN).

3.1.3 Zabezpieczenia dodatkowe

Jeżeli pompa jest przyłączona do instalacji wyposażonej w wyłączniki ochronne różnicowe jako zabezpieczenia dodatkowe, to należy zastosować wyłączniki oznaczone następującym znakiem:



RADA

Przy doborze wyłączników ochronnych różnicowych należy uwzględnić prąd upływu wszystkich urządzeń elektrycznych w instalacji.

Wartości prądu upływu, patrz rozdział 7.2 Prąd upływu.

3.1.4 Zabezpieczenie silnika

Pompa nie wymaga żadnych zabezpieczeń zewnętrznych. Silnik posiada wbudowane zabezpieczenie termiczne przeciwko przegrzaniu i zablokowaniu (IEC 34-11: TP 211).

3.1.5 Zabezpieczenie przed zbyt wysokim napięciem

Pompa jest zabezpieczony przed zbyt wysokim napięciem poprzez wbudowane warystory pomiędzy faza-zero i faza-uziemienie.

3.1.6 Napięcie zasilania

1 x 200-240 V ±10%, 50/60 Hz, PE.

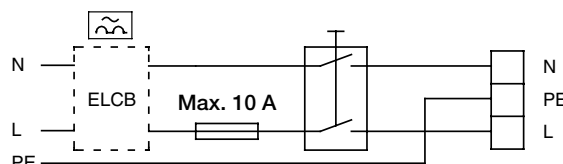
Napięcie zasilania i częstotliwość są podane na tabliczce znamionowej pompy. Należy zwrócić uwagę, czy silnik jest odpowiedni do istniejącej sieci elektrycznej.

Przewody w skrzynce zaciskowej powinny być możliwie najkrótsze. Wyjątkiem jest przewód uziemienia, który musi być tak długi, żeby w przypadku niespodziewanego wyciągnięcia kabla z wejścia kablowego, został rozłączony jako ostatni.

Na rys. 1 pokazano przykład podłączenia pompy z wyłącznikiem głównym, bezpiecznikami i dodatkowym zabezpieczeniem.

Rys. 1

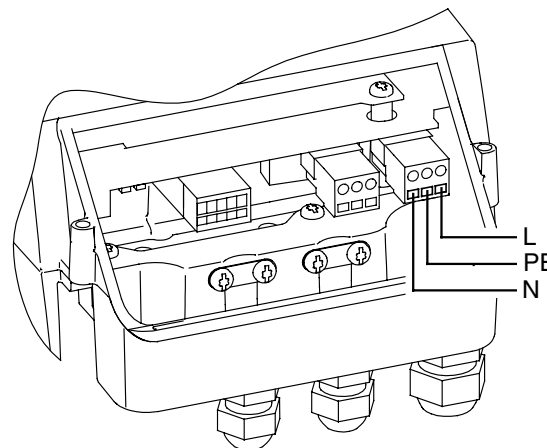
MGE 71 i MGE 80



Aktualne podłączenie zasilania pokazano na rys. 2.

Rys. 2

MGE 71 i MGE 80



3.1.7 Zał/wył pompy

UWAGA

Max. liczba Zał/Wył pompy poprzez włączenie/wyłączenie zasilania nie może przekraczać 4 razy na godzinę.

Jeżeli wymagane jest częstsze Zał/Wył pompy, to należy wykorzystać do tego celu wejście zewnętrznego Zał/Wył.

Jeżeli pompa jest załączana przez włączenie zasilania, uruchomienie nastąpi po ok. 5 s.

3.2 Przyłącza pozostałe

Przyłączenie zewnętrznych styków bezpotencjałowych Zał/Wył, zewnętrznego sygnału wartości zadanej oraz sygnału przekaźnika pokazane jest na rys. 3.

RADA Jeżeli nie jest podłączony zewnętrzny łącznik Zał/Wył, należy zmostkować zaciski 2 i 3.



Ze względów bezpieczeństwa, przewody podłączone do następujących grup, powinny być odseparowane od siebie poprzez wzmocnioną izolację:

1. Wejścia (zewn. Zał/Wył i sygnału wartości zadanej, zacisków 2-6).

Wszystkie wejścia (grupa 1) są wewnętrznie odseparowane od części pozostających pod napięciem poprzez wzmocnioną izolację oraz galwanicznie odseparowane od innych obwodów.

Wszystkie zaciski sterowania zasilane są niskim napięciem bezpiecznym (PELV), dzięki czemu zapewniona jest ochrona przed porażeniem elektrycznym.

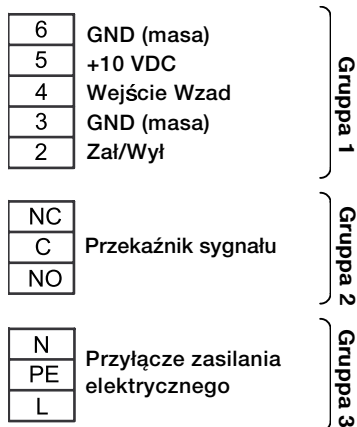
2. Wyjścia (przełącznik sygnału, zaciski NC, NO, C).

Wyjścia (grupa 2) są odseparowane galwanicznie od innych obwodów. Dlatego też na wyjście można przyłączyć napięcie zasilania lub niskie napięcie bezpieczne.

3. Napięcia zasilania (zaciski L i N).

Separacja galwaniczna musi spełniać wymagania dla wzmocnionej izolacji włączając drogę upływu i odstęp izolacji zawarte w EN 50 178.

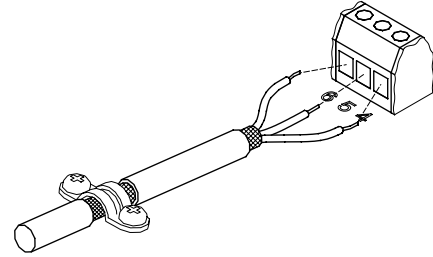
Rys. 3



3.3 Kable sygnałowe

- Kable zewnętrznego Zał/Wył i sygnału wartości zadanej muszą być ekranowane. Min. przekrój kabla 0,5 mm², max. przekrój kabla 1,5 mm².
- Ekran kabli muszą być połączone z masą na obu końcach i dochodzić możliwie jak najbliżej do zacisków przyłączeniowych, patrz rys. 4.

Rys. 4



- Śruby przyłącza masy muszą być zawsze przykręcone.
- Przewody w skrzynce zaciskowej muszą być możliwie jak najkrótsze.

4. Sterowanie pomp

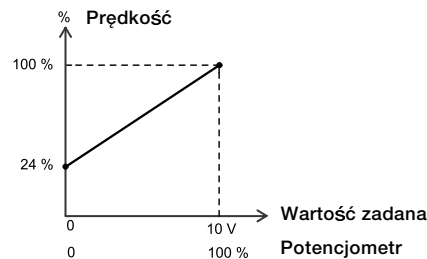
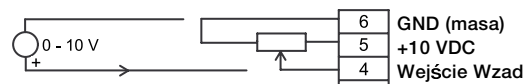
Pompy mogą być zdalnie sterowane sygnałami zewnętrznymi.

4.1 Regulacja prędkości pompy

Prędkość obrotową pompy można ustawić poprzez wejście wartości zadanej, zacisk 4.

Możliwe jest także użycie sygnału 0-10 V lub potencjometru.

Rys. 5



Prędkość obrotową pompy można ustawić w zakresie 24% do 100%.

4.2 Wejście Zał/Wył

Pompa może być także załączana i wyłączana poprzez zewnętrzny styk bezpotencjałowy podłączony do zacisków 2 i 3.

Schemat funkcji: Wejście Zał/Wył:

Zał/Wył (zaciski 2 i 3)		
		Praca normalna
		Stop

TM00 7667 1696



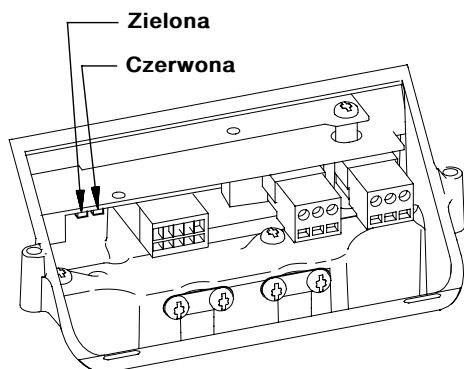
TM02 0793 0101

TM02 0794 0101

5. Lampki sygnalizacyjne i przekaźnik sygnału

Stan pracy pompy sygnalizowany jest przez czerwoną i zieloną lampkę sygnalizacyjną w skrzynce zaciskowej pompy, rys. 6.

Rys. 6



TM02 0838 0301

Pompa posiada bezpotencjałowe wyjście sygnalizacji, realizowane poprzez wewnętrzny przekaźnik.

Funkcje lampek sygnalizacyjnych i przekaźnika sygnału opisano w poniższej tabeli:

Lampki sygnalizacyjne		Przekaźnik sygnalizacji zakłóceń	Opis
Zakłócenie (czerwona)	Praca (zielona)		
Zgaszona	Zgaszona		Wyłączone napięcie zasilania.
Zgaszona	Pali się		Pompa pracuje.
Zgaszona	Miga		Pompa została wyłączona.
Pali się	Zgaszona		Pompa została wyłączona z powodu zakłócenia i będzie próbowała uruchomić się ponownie (może być konieczne ponowne uruchomienie pompy przez skasowanie sygnalizacji zakłócenia).
Pali się	Pali się		Pompa pracuje, po uprzednim wyłączeniu z powodu zakłócenia.
Pali się	Miga		Pompa została wyłączona, ale uprzednio została wyłączona z powodu zakłócenia.

Wystąpienie sygnału zakłócenia może mieć następujące przyczyny:

- Za wysoka temp. silnika
- Niskie napięcie
- Wysokie napięcie
- Za częste Zał/Wył (po zakłóceniu)
- Przeciążenie
- Suchobieg
- Inne zakłócenie

Sygnalizację zakłócenia można skasować w następujący sposób:

- przez krótkotrwałe rozłączenie połączenia pomiędzy zaciskami 2 i 3 (wyłączano pompy).
- przez krótkotrwałe wyłączenie zasilania elektrycznego pompy.

6. Kontrola stanu izolacji

RADA

W instalacjach z pompami E nie można przeprowadzać pomiarów stanu izolacji, ponieważ mogłoby to spowodować zniszczenie wbudowanej elektroniki.

7. Dane techniczne

Patrz tabliczka znamionowa na pompie.

7.1 Zasilanie elektryczne

Pompy serii E mogą być zasilane napięciem

1 x 200-240 V \pm 10%, 50/60 Hz, PE.

Bezpieczniki sieciowe

Max. 10 A.

Jako bezpieczniki sieciowe można stosować zarówno bezpieczniki standardowe, jak i bezwłocznego i zwłocznego.

7.2 Prąd upływu

Prąd upływu < 3,5 mA.

Prąd upływu został zmierzony zgodnie z EN 60 355-1.

7.3 Wejścia/wyjścia

Zał/Wył

Zewnętrzne styki bezpotencjałowe.

Napięcie: 5 VDC.

Prąd: < 5 mA.

Kabel ekranowany.*

Sygnal wartości zadanej

- Potencjometr
0-10 VDC, 10 k Ω (poprzez wewnętrzne napięcie zasilania).
Kabel ekranowany.*
Max. długość kabla: 100 m.
- Sygnal napięciowy
0-10 VDC, R_i > 50 k Ω .
Tolerancja: +0%/-3% przy maksymalnym sygnale napięciowym.
Kabel ekranowany.*
Max. długość kabla: 500 m.

Wyjście sygnału

Bezpotencjałowy styk przełączający.

Max. obciążalność styku: 250 VAC, 2 A.

Min. obciążalność styku: 5 VDC, 1 mA.

Kabel ekranowany: 0,5 - 2,5 mm².

Max. długość kabla: 500 m.

* Przekrój min. 0,5 mm², max. 1,5 mm².

7.4 Pozostałe dane techniczne

EMC (kompatybilność elektromagnetyczna)

EN 61 800-3.

Silniki są zgodne z EN 50 178.

Stopień ochrony

Standard: IP 55 (IEC 34-5).

Klasa izolacji

F (IEC 85).

Temperatura otoczenia

Podczas pracy: -20°C do +40°C.

Podczas magazynowania/transportu: -40°C do +60°C.

Względna wilgotność powietrza

Max. 95%.

7.5 Poziom hałasu

Poziom hałas powodowany przez pompę nie przekracza 70 dB(A).

8. Utylizacja

Niniejszy wyrób i jego części należy zutylizować zgodnie z zasadami ochrony środowiska:

1. Należy w tym celu skorzystać z lokalnych publicznych lub prywatnych przedsiębiorstw zajmujących się utylizacją odpadów i surowców wtórnych.
2. W przypadku braku takich przedsiębiorstw lub odmowy przyjęcia materiałów zastosowanych w wyrobie można wyrób taki lub ewentualne materiały zagrażające środowisku dostarczyć do najbliższej siedziby lub warsztatu serwisowego firmy GRUNDFOS.

СОДЕРЖАНИЕ



AЯ46

	Страницы
1. Указания по технике безопасности	18
1.1 Общие сведения	18
1.2 Значение символов и надписей	18
1.3 Квалификация и обучение обслуживающего персонала	18
1.4 Опасные последствия несоблюдения указаний по технике безопасности	18
1.5 Выполнение работ с соблюдением техники безопасности	18
1.6 Указания по технике безопасности для потребителя или обслуживающего персонала	18
1.7 Указания по технике безопасности при выполнении технического обслуживания, контрольных осмотров и монтажа	19
1.8 Самостоятельное переоборудование и изготовление запасных узлов и деталей	19
1.9 Недопустимые режимы эксплуатации	19
2. Общие сведения	19
3. Монтаж	19
3.1 Подключение электрооборудования: насосы с однофазными электродвигателями	19
3.1.1 Сетевой выключатель	19
3.1.2 Защита от удара током - при отсутствии непосредственного прикосновения	19
3.1.3 Дополнительная защита	19
3.1.4 Защита электродвигателя	19
3.1.5 Защита от перенапряжения	20
3.1.6 Напряжение питания	20
3.1.7 Включение или, соответственно, отключение насоса	20
3.2 Прочие подключения	20
3.3 Кабели передачи сигналов	20
4. Управление насосом	21
4.1 Регулирование частоты вращения насоса	21
4.2 Вход для внешнего сигнала ВКЛ/ВЫКЛ	21
5. Световая сигнализация и реле системы сигнализации	22
6. Испытание сопротивления изоляции	22
7. Технические данные	23
7.1 Напряжение питания	23
7.2 Ток утечки	23
7.3 Входы/выходы	23
7.4 Прочие технические данные	23
7.5 Уровень звука	23
8. Сбор и удаление отходов	23

1. Указания по технике безопасности

1.1 Общие сведения

Это руководство по монтажу и эксплуатации содержит принципиальные указания, которые должны выполняться при монтаже, эксплуатации и техническом обслуживании. Поэтому перед монтажом и вводом в эксплуатацию они обязательно должны быть изучены слесарем-сборщиком, а также соответствующим обслуживающим персоналом или потребителем. Руководство должно постоянно находиться на месте эксплуатации оборудования.

Необходимо соблюдать не только общие требования по технике безопасности, приведенные в разделе "Указания по технике безопасности", но и специальные указания, приводимые в других разделах.

1.2 Значение символов и надписей



Указания по технике безопасности, содержащиеся в данном руководстве по обслуживанию и монтажу, невыполнение которых может повлечь опасные для жизни и здоровья людей последствия, специально отмечены общими "знаком опасности" по стандарту DIN 4844-W9.

Этот символ Вы найдете рядом с указаниями по технике безопасности, невыполнение которых может вызвать отказ в работе машин, а также их повреждение.

Рядом с этим символом находятся рекомендации или указания, облегчающие работу и обеспечивающие надежную эксплуатацию оборудования.

Указания, помещенные непосредственно на оборудовании, например:

- стрелка указания направления вращения,
- обозначение патрубка подключения подачи жидкости, должны соблюдаться в обязательном порядке и сохраняться в таком виде, чтобы их всегда можно было прочитать.

1.3 Квалификация и обучение обслуживающего персонала

Персонал, выполняющий эксплуатацию, техническое обслуживание и контрольные осмотры, а также монтаж оборудования должен иметь соответствующую выполняемой работе квалификацию. Круг вопросов, за которые несет персонал ответственность и которые он должен контролировать, а также область его компетенции должна точно определяться потребителем.

1.4 Опасные последствия несоблюдения указаний по технике безопасности

Несоблюдение указаний по технике безопасности может повлечь за собой как опасные последствия для здоровья и жизни человека, так и создать опасность для окружающей среды и оборудования. Несоблюдение указаний по технике безопасности может также сделать недействительными любые требования по возмещению ущерба.

В частности, несоблюдение требований техники безопасности может, например, вызвать:

- отказ важнейших функций оборудования,
- недействительность предписанных методов для технического обслуживания и ремонта,
- опасную ситуацию для здоровья и жизни персонала вследствие воздействия электрических или механических факторов.

1.5 Выполнение работ с соблюдением техники безопасности

При выполнении работ должны соблюдаться приведенные в данном руководстве по монтажу и эксплуатации указания по технике безопасности, существующие национальные предписания по технике безопасности, а также всевозможные предписания по выполнению работ, эксплуатации оборудования и технике безопасности, действующие у потребителя.

1.6 Указания по технике безопасности для потребителя или обслуживающего персонала

- Не демонтировать на работающем оборудовании установленное ограждение, блокирующие и пр. устройства для защиты персонала от подвижных частей оборудования.
- Необходимо исключить возможность возникновения опасности, связанной с электроэнергией (более подробно смотри, например, предписания VDE и местных энергоснабжающих предприятий).

1.7 Указания по технике безопасности при выполнении технического обслуживания, контрольных осмотров и монтажа

Потребитель должен обеспечить выполнение всех работ по техническому обслуживанию, контрольным осмотрам и монтажу квалифицированными специалистами, допущенными к выполнению этих работ и в достаточной мере ознакомленными с ними в ходе подробного изучения руководства по монтажу и эксплуатации.

Все работы должны проводиться обязательно при неработающем оборудовании. Должен обязательно соблюдаться порядок действий отключения оборудования, описанный в руководстве по монтажу и эксплуатации.

Сразу же по окончании работ должны быть снова установлены или включены все демонтированные защитные и предохранительные устройства.

Перед вводом в эксплуатацию необходимо прочитать руководство по монтажу и эксплуатации стандартного насоса.

1.8 Самостоятельное переоборудование и изготовление запасных узлов и деталей

Переоборудование или модификацию насосов разрешается выполнять только по договоренности с изготовителем. Фирменные запасные узлы и детали, а также разрешенные к использованию фирмой-изготовителем комплектующие призваны обеспечить надежность эксплуатации. Применение узлов и деталей других производителей может вызвать отказ изготовителя нести гарантийный обязательства за возникшие в результате этого последствия.

1.9 Недопустимые режимы эксплуатации

Эксплуатационная надежность поставляемых насосов гарантируется только в случае применения их в соответствии с функциональным назначением, в соответствии с разделом 2. *Общие сведения* руководства по монтажу и эксплуатации. Предельно допустимые значения, указанные в технических характеристиках, должны обязательно соблюдаться во всех случаях.

2. Общие сведения

Основное исполнение насосов типа "Е" представляет собой насосы, оснащенные стандартными электродвигателями с частотным регулированием.

Насос имеет вход для внешнего беспотенциального контакта, для подачи внешнего сигнала ВКЛ/ВЫКЛ и внешнего сигнала заданного значения. Насос имеет также беспотенциальный выход для подачи сигнала готовности к эксплуатации.

Частота вращения насоса и тем самым его производительность могут дистанционно регулироваться с помощью внешнего сигнала напряжением 0-10 В или с помощью потенциометра.

3. Монтаж

Чтобы обеспечить достаточное охлаждение электродвигателя и электронного блока управления, необходимо учесть следующие требования:

- Устанавливать на месте эксплуатации насос необходимо таким образом, чтобы обеспечить достаточное охлаждение.
- Температура воздуха для охлаждения должна быть не выше 40°C.
- Ребра, окна в кожухе вентилятора и крыльчатка самого вентилятора системы воздушного охлаждения электродвигателя должны всегда содержаться в чистоте.

Прочие указания по монтажу смотри в руководстве по монтажу и эксплуатации стандартного насоса.

3.1 Подключение электрооборудования: насосы с однофазными электродвигателями

Потребитель или, соответственно, лицо/организация, выполняющие монтаж, несут ответственность для правильное подключение заземления и защиты в соответствии с действующими национальными и местными нормативными документами. Все операции должны выполняться специалистами.

Внимание



Перед проведением любых работ в клеммной коробке насоса необходимо как минимум за пять минут до этого отключить напряжение питания.

3.1.1 Сетевой выключатель

Насос должен иметь предохранители на входе, устанавливаемые заказчиком, и подключаться к внешнему сетевому выключателю, коммутирующему все фазы системы. При размыкании контактов сетевого выключателя воздушный зазор для каждого из полюсов должен быть согласно IEC 364 не менее 3 мм.

3.1.2 Защита от удара током - при отсутствии непосредственного прикосновения



Насос должен быть заземлен и иметь защиту от удара током при непрямом прикосновении в соответствии с действующими национальными и местными нормативными документами.

Защитный провод должен иметь цветовую маркировку либо желто-зеленого (PE), либо желто-зелено-синего (PEN) цвета.

3.1.3 Дополнительная защита

Если из-за схемы сетевого электропитания или требований электроснабжающего предприятия необходимо будет предпринять меры для защиты от тока утечки, необходимо установить автомат защитного отключения:

- который согласно требованиям стандарта DIN VDE 0664 должен реагировать также на импульсы постоянного тока утечки (исполнение автомата, чувствительного к пульсирующему току);
- который при включении сетевого питания будет учитывать потенциал зарядного тока относительно земли;
- который может функционировать при рабочем токе насоса.

Если в процессе включения возникают импульсы тока утечки в результате (кратковременного) возникновения максимального напряжения в сети во время переходных процессов и неравномерная фазовая нагрузка, рекомендуется применять быстродействующее исполнение (VSK) автомата защитного отключения тока утечки.

Автоматы должны иметь маркировку со следующим обозначением:



Указание

При выборе автомата защитного отключения необходимо учитывать общее значение тока утечки всех элементов электрооборудования.

Значение рабочего тока насоса смотрите в разделе 7.2 *Ток утечки*.

3.1.4 Защита электродвигателя

Насос не требует никакой внешней защиты (если TP 211 подключен к управл. контуру). Он оснащен защитой как от длительно действующей перегрузки, так и на случай блокировки (IEC 34-11: TP 211).

RU

3.1.5 Защита от перенапряжения

Электродвигатель насоса защищен от перенапряжения с помощью варисторов, включенных между фазой и нейтралью и фазой и землей.

3.1.6 Напряжение питания

1 x 200-240 В ±10%, 50/60 Гц, PE (с защитным заземлением).

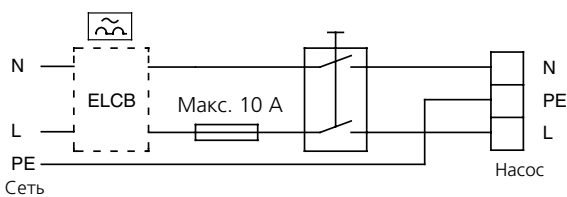
Необходимо следить за тем, чтобы указанные в фирменной табличке номинальные данные электрооборудования совпадали с параметрами имеющейся электросети.

Концы проводов, выводимых в клеммную коробку электродвигателя насоса, должны быть максимально короткими. Однако исключение составляет защитный провод, длина которого должна выбираться таковой, что если бы кабель случайно вырвали из резьбовой кабельной муфты, то последним проводом, который при этом оборвался бы, был защитный провод.

На рис. 1 показан пример подключения электродвигателя с насосом к сети через сетевой выключатель, предохранители на входе и дополнительный автомат защиты.

Рис. 1

Электродвигатели MGE 71 и MGE 80

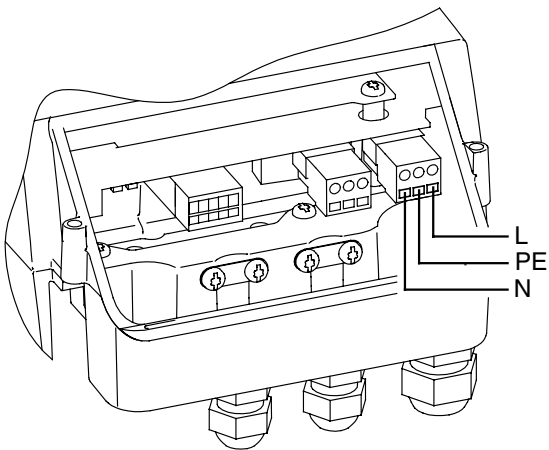


TM02 0792 0101

На рис. 2 показано подключение к сети.

Рис. 2

Электродвигатели MGE 71 и MGE 80



TM02 1234 0701

3.1.7 Включение или, соответственно, отключение насоса

Включение или отключение насоса с помощью сетевого выключателя разрешается выполнять не чаще, чем три-четыре раза в час.

Внимание

Если необходим более интенсивный цикл повторно-кратковременного включения, необходимо для включения/выключения насоса использовать вход для внешнего сигнала ВКЛ/ВЫКЛ.

При включении с помощью сетевого выключателя насос начинает работать лишь спустя 5 секунд.

3.2 Прочие подключения

Подключение внешнего беспотенциального контакта для подачи внешнего сигнала ВКЛ/ВЫКЛ, внешнего сигнала заданного значения или сигнала сообщения представлено на рис. 3.

Указание

Если внешний выключатель ВКЛ/ВЫКЛ не подключен, зажимы 2 и 3 необходимо соединить перемычкой.



Для выполнения требований по технике безопасности провода, относящиеся к указанным ниже группам, должны быть надежно изолированы друг от друга на всем своем протяжении с помощью усиленной изоляции:

- Входы** (внешний сигнал ВКЛ/ВЫКЛ и сигнал заданного значения, зажимы со 2 по 6).

Все входы (группа 1) изолированы от подключенных к электросети частей электрооборудования с помощью усиленной изоляции и гальванически развязаны с другими электроцепями.

На все зажимы системы управления подается пониженное напряжение для повышения электробезопасности (PELV). Это обеспечивает защиту от ударов током.

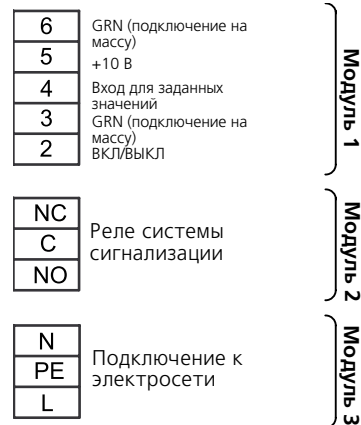
- Выход** (реле системы сигнализации, зажимы NC, NO, C).

Выход (группа 2) гальванически развязан с другими электроцепями. Поэтому через этот выход, не находящийся под потенциалом, при необходимости можно подавать как напряжение питания от электросети, так и пониженное напряжение для повышения электробезопасности.

- Напряжение питания** (зажимы L и N).

Надежная гальваническая развязка должна отвечать требованиям усиленной изоляции согласно стандарту EN 50 178.

Рис. 3

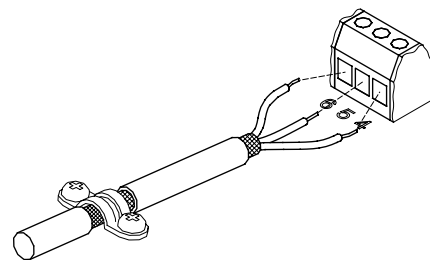


TM02 0793 0101

3.3 Кабели передачи сигналов

- Кабель для подачи внешнего сигнала ВКЛ/ВЫКЛ и сигнала заданного значения должен быть экранирован. Необходимо применять кабели с поперечным сечением жил не менее 0,5 мм² и не более 1,5 мм².
- Экранирование кабелей должно выполняться подключением обоих концов кабельной оболочки на массу насоса. При экранировании кабелей следить за надежным соединением на массу. Торцев экранирующей оболочки должен находиться на минимально возможном удалении от соединительных зажимов, смотрите рис. 4.

Рис. 4



- Винты соединения на массу должны всегда быть прочно затянуты, независимо от того, подключен кабель или нет.
- Концы проводов, выводимых в клеммную коробку электродвигателя насоса, должны быть максимально короткими.

TM00 7667 1696

4. Управление насосом

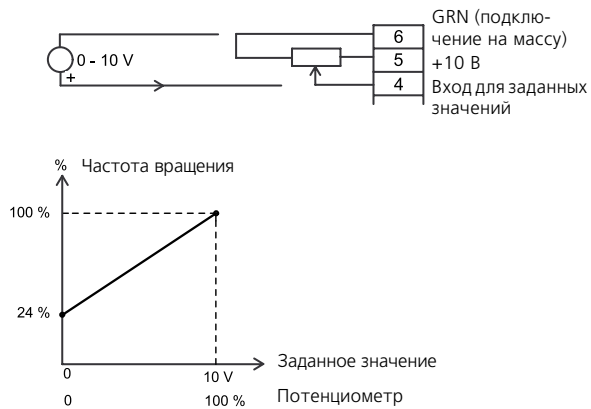
К насосу может подаваться внешний сигнал от системы дистанционного управления насосом.

4.1 Регулирование частоты вращения насоса

Частота вращения насоса может регулироваться через вход сигнала заданного значения, зажим 4.

Для этого может использоваться сигнал напряжением 0-10 В или потенциометр.

Рис. 5



Частота вращения насоса может регулироваться в диапазоне от 24% до 100%.

4.2 Вход для внешнего сигнала ВКЛ/ВЫКЛ

Насос может включаться или выключаться через внешний беспотенциальный контакт, для чего необходимо подключить зажимы 2 и 3.

Функциональная диаграмма: вход для внешнего сигнала ВКЛ/ВЫКЛ:

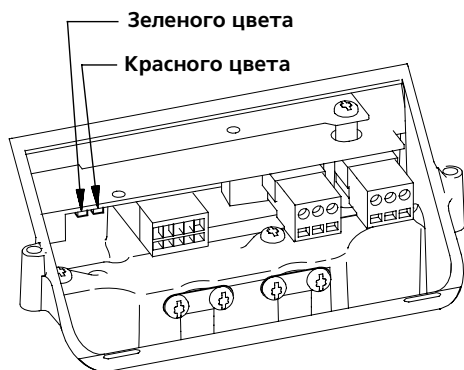
Внешний сигнал ВКЛ/ВЫКЛ (зажимы 2 и 3)		
		Нормальный режим эксплуатации
		Останов



5. Световая сигнализация и реле системы сигнализации

Световая сигнализация (зеленого и красного цвета) на пульте управления насоса индицируют текущий эксплуатационный режим насоса, рис. 6.

Рис. 6



TM02 0838 0301

Насос имеет встроенное реле с беспотенциальным выходом системы сигнализации.

Работа обоих светодиодов и реле системы сигнализации видно из следующей таблицы:

Светодиоды		Работа реле	Описание
Неисправность (красного цвета)	Рабочий режим (зеленого цвета)		
Не горит	Не горит		Напряжение питания отключено.
Не горит	Горит постоянно		Насос работает.
Не горит	Мигает		Насос был отключен.
Горит постоянно	Не горит		Насос отключен из-за неисправности и пытается вновь запуститься, если было установлено автоматическое повторное включение (снова включить насос можно будет в ручном режиме путем квитирования сигнала неисправности).
Горит постоянно	Горит постоянно		После того, как насос был отключен из-за неисправности, он снова работает.
Горит постоянно	Мигает		Насос выключился, но до этого он уже отключался из-за неисправности.

Сигнал неисправности подается по следующим причинам:

- Zu hohe Motortemperatur (перегрев электродвигателя);
- Unterspannung (падение напряжения);
- Überspannung (перенапряжение);
- Zu viele Wiedereinschaltungen (слишком частые включения после неисправности);
- Überlast (перегрузка);
- Trockenlauf (пуск всухую);
- Andere Störung (прочие неисправности).

Квитировать сигнал неисправности можно следующими способами:

- Путем кратковременного размыкания перемычки между зажимами 2 и 3 (отключения насоса).
- путем кратковременного отключения напряжения питания электродвигателя насоса.

6. Испытание сопротивления изоляции

Указание

Испытание сопротивления изоляции нельзя проводить в сети при подключенных насосах типа "E", так как при этом можно вывести из строя электронное оборудование.

7. Технические данные

Смотри табличку с техническими данными.

7.1 Напряжение питания

Напряжение питания электродвигателя насоса

1 x 200-240 В ±10%, 50/60 Гц, PE (с защитным заземлением).

Входной предохранитель

Макс. 10 А.

Входные предохранители могут быть стандартного инерционного или быстродействующего типа.

7.2 Ток утечки

Ток утечки относительно земли < 3,5 мА.

Измерение значений тока утечки выполнены согласно требованиям EN 60 355-1.

7.3 Входы/выходы

ВКЛ/ВЫКЛ

Внешний беспотенциальный переключатель ВКЛ-ВЫКЛ.

Напряжение: 5 В постоянного тока.

Ток: < 5 мА.

Экранированный кабель.*

Сигналы заданных значений

- Потенциометр
Постоянный ток напряжением 0-10 В, сопротивление 10 кΩ (через встроенный источник напряжения питания).
Экранированный кабель.*
Макс. длина кабеля: 100 м.
- Сигнал напряжения
Постоянный ток напряжением 0-10 В, $R_i > 50 \text{ к}\Omega$.
Допуски: +0%/–3% при макс. сигнале напряжения.
Экранированный кабель.*
Макс. длина кабеля: 500 м.

Выход системы сигнализации

Беспотенциальный коммутирующий контакт.

Макс. нагрузка контакта: 250 В переменного тока в 2 А.

Мин. нагрузка контакта: 5 В постоянного тока в 1 мА.

Экранированный кабель: 0,5 - 2,5 мм².

Макс. длина кабеля: 500 м.

* Поперечное сечение жил не менее 0,5 мм² и не более 1,5 мм².

7.4 Прочие технические данные

EMV (электромагнитная совместимость)

Насосы типа "Е" соответствуют директивам:

EN 61 800-3.

Электродвигатель соответствует EN 50 178.

Класс защиты

Стандартный: IP 55 (согласно IEC 34-5).

Класс нагревостойкости изоляции

F (согласно IEC 85).

Температура окружающей среды

Эксплуатационная температура: от –20°C до +40°C.

Температура хранения/транспортировки: от –40°C до +60°C.

Относительная влажность воздуха

Макс. 95%.

7.5 Уровень звука

Уровень шума насос не превышает 70 dB(A).

8. Сбор и удаление отходов

Данное изделие, а также узлы и детали должны собираться и удаляться в соответствии с требованиями экологии:

1. Для этого должны будут привлекаться местные муниципальные или частные организации или фирмы по сбору и удалению отходов.
2. Если такие организации или фирмы отсутствуют, а также если они не принимают отходы из-за содержащихся в них материалов, то изделие или возможные экологически вредные материалы могут отправляться в ближайший филиал или мастерскую фирмы GRUNDFOS.

SOMMAIRE

	Page
1. Généralités	24
2. Installation	24
2.1 Branchement électrique	24
2.1.1 Interrupteur principal	24
2.1.2 Protection contre les chocs électriques – contact indirect	24
2.1.3 Protection supplémentaire	24
2.1.4 Protection moteur	24
2.1.5 Protection contre la surtension	24
2.1.6 Tension d'alimentation	24
2.1.7 Marche/arrêt de la pompe	25
2.2 Autres branchements	25
2.3 Câbles de signaux	25
3. Régulation de la pompe	25
3.1 Régulation de la vitesse de la pompe	25
3.2 Entrée marche/arrêt	25
4. Voyants d'indication et relais de signal	26
5. Mesure de la résistance d'isolement	26
6. Caractéristiques techniques	27
6.1 Alimentation électrique	27
6.2 Courant de fuite	27
6.3 Entrées/sortie	27
6.4 Autres caractéristiques techniques	27
6.5 Niveau de pression sonore	27
7. Dispositions	27

Avant d'engager les procédures d'installation, il faut étudier attentivement cette notice d'installation et d'entretien. **De plus, la notice des pompes standards doit aussi être lue avec attention.** L'installation et l'utilisation doivent être également conformes aux réglementations en vigueur et aux règles de l'art.



1. Généralités

Les pompes GRUNDFOS de type "E" sont équipées de moteurs standards intégrant un convertisseur de fréquences.

La pompe dispose d'entrées pour la marche/arrêt et le point de consigne. Elle dispose aussi d'une sortie pour signal libre de potentiel.

La vitesse de la pompe ainsi que ses performances peuvent être commandées à distance au moyen d'un signal 0-10 V externe ou un potentiomètre.

2. Installation

Afin d'assurer le refroidissement du moteur et des composants électroniques, il faut veiller à :

- Placer la pompe de telle façon à ce qu'un refroidissement suffisant soit assuré.
- La température de l'air de refroidissement ne doit pas dépasser 40°C.
- Les ailettes de refroidissement du moteur et du ventilateur doivent rester propres.

Pour plus d'informations sur l'installation, se reporter à la notice des pompes standards.

2.1 Branchement électrique

Nota: L'utilisateur ou l'installateur électricien a la responsabilité d'assurer la mise à la terre correcte et la protection en accord avec les réglementations locales et nationales en vigueur. Toutes les opérations doivent être effectuées par du personnel dûment formé.



Avant toute intervention dans la boîte à bornes de la pompe, l'alimentation électrique doit avoir été coupée pendant 5 min. au minimum.

2.1.1 Interrupteur principal

La pompe doit être reliée à un interrupteur principal externe tous pôles avec une distance de séparation des contacts d'au moins 3 mm sur chaque pôle conformément à CEI 364.

2.1.2 Protection contre les chocs électriques – contact indirect



La pompe doit être mise à la terre et protégée contre le contact indirect conformément aux réglementations nationales.

Les conducteurs de protection doivent toujours comporter un marquage de couleur jaune/vert (PE) ou jaune/vert/bleu (PEN).

2.1.3 Protection supplémentaire

Si la pompe est raccordée à une installation électrique dans laquelle un disjoncteur différentiel est utilisé comme protection supplémentaire, celui-ci doit être marqué du symbole suivant :



Nota: Au moment de sélectionner un disjoncteur différentiel, il faut tenir compte du courant de fuite total de l'équipement électrique de l'installation.

Le courant de fuite de la pompe ressort du paragraphe 6.2 *Courant de fuite*.

2.1.4 Protection moteur

La pompe ne nécessite pas de protection moteur externe. Le moteur incorpore une protection thermique contre des faibles surcharges et blocages (CEI 34-11: TP 211).

2.1.5 Protection contre la surtension

La pompe est protégée contre la surtension par des varistors intégrés entre la phase et le neutre et entre la phase et la terre.

2.1.6 Tension d'alimentation

1 x 200-240 V ±10%, 50/60 Hz, PE.

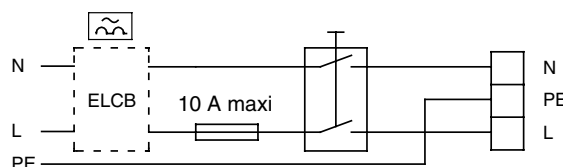
Vérifier que la tension et la fréquence d'alimentation correspondent aux valeurs indiquées sur la plaque signalétique.

Les fils de la boîte à bornes de la pompe doivent toujours être aussi courts que possible, excepté cependant le conducteur de protection qui doit être suffisamment long pour être le dernier fil à lâcher si le câble est arraché accidentellement de la boîte.

La fig. 1 montre un exemple de raccordement au réseau d'alimentation d'une pompe avec interrupteur principal, fusibles d'entrée et protection supplémentaire.

Fig. 1

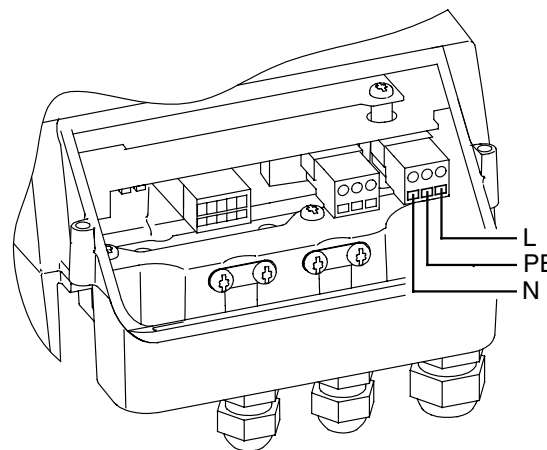
MGE 71 et MGE 80



Le raccordement actuel au réseau d'alimentation est montré, fig. 2.

Fig. 2

MGE 71 et MGE 80



2.1.7 Marche/arrêt de la pompe

Le nombre de marches et arrêts via la tension d'alimentation du réseau ne doit pas être supérieur à 4 par heure.

Si le nombre de marches et arrêts requis est supérieur, l'entrée pour une marche/arrêt externe doit être utilisée lors du démarrage/arrêt de la pompe.

Lorsque la pompe est mise en route via le réseau d'alimentation, celle-ci démarre après 5 secondes approximativement.

2.2 Autres branchements

Le branchement des contacts externes libres de potentiel pour la fonction marche/arrêt, le signal externe du point de consigne et le signal de relais est indiqué dans la figure 3.

Nota: Si aucun interrupteur externe de marche/arrêt n'est connecté, court-circuiter les bornes 2 et 3 en utilisant un fil court.

Nota: Par mesure de précaution, les fils connectés aux groupes de borniers suivants doivent être séparés les uns des autres par une isolation renforcée sur toutes leurs longueurs:

- Entrées** (marche/arrêt externe et signal du point de consigne, bornes 2 à 6).

Toutes les entrées (bornier 1) sont, à l'intérieur de la pompe, séparées de la partie alimentée par le réseau par une isolation renforcée et isolées galvaniquement des autres circuits. L'alimentation électrique de l'ensemble des bornes de commande, de tension très basse (PELV), assure la protection contre le choc électrique.

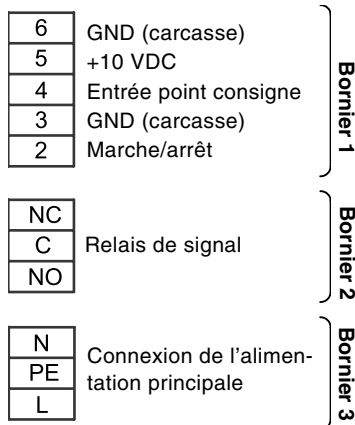
- Sortie** (relais de signal, bornes NC, NO, C).

La sortie (bornier 2) est isolée galvaniquement des autres circuits. Par conséquent, la tension réseau ou une tension très basse, au choix, peut être reliée à la sortie.

- Tension d'alimentation** (bornes L et N).

L'isolation galvaniquement sûre est obtenue en respectant les exigences en matière d'isolation renforcée avec les lignes de fuite et les distances dans l'air selon EN 50 178.

Fig. 3

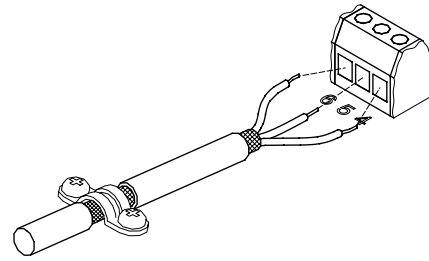


TM02 0793 0101

2.3 Câbles de signaux

- Utiliser des câbles blindés pour l'interrupteur externe de marche/arrêt et le signal du point de consigne dont la section du conducteur se situe entre 0,5 mm² mini et 1,5 mm² maxi.
- Le blindage des câbles doit être correctement connecté à la masse aux deux extrémités. Le blindage doit être situé le plus près possible des bornes, fig. 4.

Fig. 4



TM00 7667 1696

- Les vis des connexions à la masse doivent toujours être serrées, indépendamment du fait que le câble est installé ou pas.
- Les fils de la boîte à bornes de la pompe doivent toujours être aussi courts que possible.

3. Régulation de la pompe

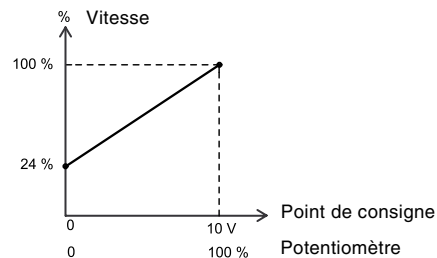
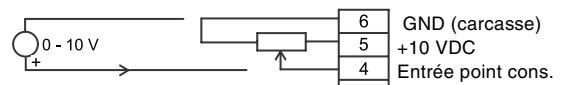
La pompe peut être connectée à des signaux externes pour la commande à distance des performances de la pompe.

3.1 Régulation de la vitesse de la pompe

La vitesse de la pompe peut être réglée via l'entrée du point de consigne, borne 4.

Il est possible d'utiliser soit un signal 0-10 V, soit un potentiomètre.

Fig. 5



TM02 0794 0101

La vitesse de la pompe peut être réglée dans une plage de 24% à 100%.

3.2 Entrée marche/arrêt

La pompe peut être démarrée et arrêtée via un contact externe libre de potentiel connecté aux bornes 2 et 3.

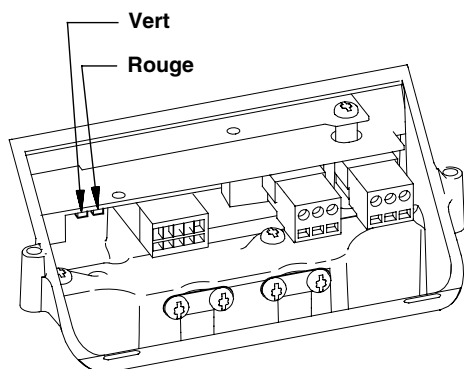
Schéma fonctionnel: Entrée marche/arrêt:

Marche/arrêt (bornes 2 et 3)		
		Fonctionnement normal
		Arrêt

4. Voyants d'indication et relais de signal

Les conditions de fonctionnement de la pompe sont indiquées par les voyants vert et rouge situés dans la boîte à bornes de la pompe, fig. 6.

Fig. 6



TMO2 0838 0301

La pompe incorpore une sortie avec contact inverseur libre de potentiel via un relais interne.

Les fonctions des deux voyants d'indication et du signal du relais sont indiquées dans le tableau suivant:

Voyants d'indication		Position du contact du relais de signal	Description
Défaut (rouge)	Fonctionnement (vert)		
Eteint	Eteint		La tension d'alimentation a été coupée.
Eteint	Allumé en permanence		La pompe fonctionne.
Eteint	Clignote		La pompe a été réglée sur arrêt.
Allumé en permanence	Eteint		La pompe a été arrêtée à cause d'un défaut. Un redémarrage sera tenté (il peut être nécessaire de redémarrer la pompe en annulant l'indication de défaut).
Allumé en permanence	Allumé en permanence		La pompe fonctionne, mais elle a été arrêtée à cause d'un défaut.
Allumé en permanence	Clignote		La pompe a été réglée sur arrêt, mais celle-ci a été arrêtée à cause d'un défaut.

En cas d'indication de défaut, la cause peut être l'une des suivantes:

- Température moteur trop élevée
- Sous-tension
- Surtension
- Trop grand nombre de redémarrages (après défauts)
- Surcharge
- Marche à sec
- Autre défaut

Une indication de défaut peut être annulée de l'une des façons suivantes:

- En coupant brièvement la connexion entre les bornes 2 et 3 (arrête la pompe).
- En coupant brièvement l'alimentation électrique de la pompe.

5. Mesure de la résistance d'isolement

Nota: La mesure de la résistance d'isolement d'une installation incorporant des pompes "E" n'est pas autorisée, dans la mesure où les composants électroniques intégrés peuvent être endommagés.

6. Caractéristiques techniques

Voir plaques signalétiques.

6.1 Alimentation électrique

Alimentation électrique de la pompe

1 x 200-240 V \pm 10%, 50/60 Hz, PE.

Fusibles

10 A maxi.

Des fusibles standards rapides ou lents peuvent être utilisés.

6.2 Courant de fuite

Courant de fuite à la terre < 3,5 mA.

Les courants de fuite sont mesurés selon EN 60 355-1.

6.3 Entrées/sortie

Marche/arrêt

Interrupteur externe libre de potentiel.

Tension: 5 VDC.

Intensité: < 5 mA.

Câble blindé.*

Signaux du point de consigne

- Potentiomètre
0-10 VDC, 10 k Ω (via la tension d'alimentation interne).
Câble blindé.*
Longueur maxi du câble: 100 m.
- Signal de tension
0-10 VDC, R_i > 50 k Ω .
Tolérance: +0%/-3% à signal de tension maxi.
Câble blindé.*
Longueur maxi du câble: 500 m.

Sortie du signal

Contact inverseur libre de potentiel.

Charge maxi du contact: 250 VAC, 2 A.

Charge mini du contact: 5 VDC, 1 mA.

Câble blindé: 0,5 - 2,5 mm².

Longueur maxi du câble: 500 m.

* Section: 0,5 mm² mini et 1,5 mm² maxi.

6.4 Autres caractéristiques techniques

CEM (compatibilité électromagnétique)

EN 61 800-3.

Le moteur satisfait à la norme EN 50 178.

Indice de protection

IP 55 (IEC 34-5) en standard.

Classe d'isolation

F (IEC 85).

Température ambiante

Pendant le fonctionnement: -20°C à +40°C.

Pendant le stockage/transport: -40°C à +60°C.

Humidité relative de l'air

95% maxi.

6.5 Niveau de pression sonore

Le niveau de pression sonore est inférieur à 70 dB(A).

7. Dispositions

Dispositions relatives à l'utilisation du produit et de ses composants:

1. Utiliser un service local public ou privé d'assainissement.
2. Si aucun service d'assainissement n'est compétent pour le type de matériel, veuillez renvoyer le produit à GRUNDFOS ou un centre de réparation agréé.



INDICE

	Pagina
1. Generalità	28
2. Installazione	28
2.1 Collegamenti elettrici	28
2.1.1 Interruttore di rete	28
2.1.2 Protezione contro le scosse elettriche – contatto indiretto	28
2.1.3 Protezione supplementare	28
2.1.4 Protezione del motore	28
2.1.5 Protezione contro la sovratensione	28
2.1.6 Tensione di alimentazione	28
2.1.7 Avviamento/arresto della pompa	29
2.2 Altri collegamenti	29
2.3 Cavi del segnale	29
3. Controllo della pompa	29
3.1 Controllo della velocità delle pompe	29
3.2 Ingresso di avviamento/arresto	29
4. LED e relè del segnale	30
5. Controllo mediante megger	30
6. Dati tecnici	31
6.1 Alimentazione elettrica	31
6.2 Corrente di dispersione	31
6.3 Ingressi/uscita	31
6.4 Altri dati tecnici	31
6.5 Livello della pressione acustica	31
7. Smaltimento	31



Prima di iniziare le procedure di installazione, leggere attentamente queste istruzioni di installazione e funzionamento. **Consultare anche attentamente le istruzioni di installazione e funzionamento allegate alla pompa standard.** L'installazione e l'uso dovranno rispettare le normative locali e i procedimenti comunemente accettati.

1. Generalità

Le GRUNDFOS E pumps sono equipaggiate con un motore a velocità variabile.

La pompa include sia ingressi per segnali esterni per arresto/avviamento e un segnale esterno sia un'uscita per un segnale.

La velocità della pompa può essere quindi regolata per mezzo di un segnale esterno 0-10 V o un potenziometro.

2. Installazione

Per assicurare il raffreddamento del motore e dell'elettronica, osservare le seguenti precauzioni:

- Installare la pompa in modo da garantire un sufficiente raffreddamento al motore.
- La temperatura ambiente non dovrà superare i 40°C.
- Tenere pulite le alette di raffreddamento e le palette del ventilatore del motore.

Per ulteriori informazioni sull'installazione, leggere le istruzioni di installazione e funzionamento della pompa.

2.1 Collegamenti elettrici

Nota: L'utente o l'installatore sarà responsabile della realizzazione di messa a terra e protezione adeguate in conformità con le normative nazionali e locali in vigore. Tutte le operazioni dovranno essere eseguite da un elettricista qualificato.



Non eseguire mai collegamenti nella morsettiera della pompa senza avere tolto l'alimentazione elettrica da almeno 5 minuti.

2.1.1 Interruttore di rete

La pompa dovrà essere collegata ad un interruttore di rete esterno a poli universali con una separazione dei contatti di almeno 3 mm in ogni polo, in conformità con IEC 364.

2.1.2 Protezione contro le scosse elettriche – contatto indiretto



La pompa deve avere il collegamento a terra ed essere protetta contro contatti indiretti secondo le norme locali.

I conduttori di terra di protezione dovranno essere sempre contrassegnati dai colori giallo/verde (PE) o giallo/verde/blu (PEN).

2.1.3 Protezione supplementare

Se la pompa è collegata ad un impianto elettrico in cui si utilizza un interruttore differenziale automatico come protezione supplementare, tale interruttore dovrà essere contrassegnato dal seguente simbolo:



Nota: Quando si sceglie un interruttore differenziale automatico, è necessario tenere conto della corrente di dispersione complessiva di tutte le apparecchiature elettriche presenti nell'impianto.

La corrente di dispersione della pompa si trova nella sezione 6.2 *Corrente di dispersione*.

2.1.4 Protezione del motore

La pompa non richiede alcuna protezione esterna in quanto è dotato di protezione termica contro il lento sovraccarico e il bloccaggio (IEC 34-11: TP 211).

2.1.5 Protezione contro la sovratensione

La pompa è protetta contro la sovratensione attraverso varistori incorporati situati tra fase e neutro e tra fase e terra.

2.1.6 Tensione di alimentazione

1 x 200-240 V ±10%, 50/60 Hz, PE.

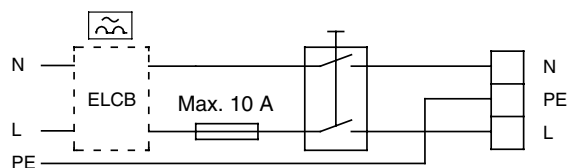
La tensione e la frequenza di esercizio sono riportate sulla targhetta di identificazione della pompa. Accertarsi che il motore sia idoneo all'alimentazione elettrica con la quale verrà utilizzato.

I conduttori nella morsettiera della pompa dovranno essere il più corti possibile, ad eccezione del conduttore di terra di protezione che dovrà avere una lunghezza tale per cui sarà l'ultimo ad essere disinserito qualora il cavo venisse inavvertitamente estratto dal suo ingresso.

La figura 1 presenta un esempio di pompa collegata alla rete con interruttore di rete, fusibili di riserva e protezione supplementare.

Fig. 1

MGE 71 e MGE 80

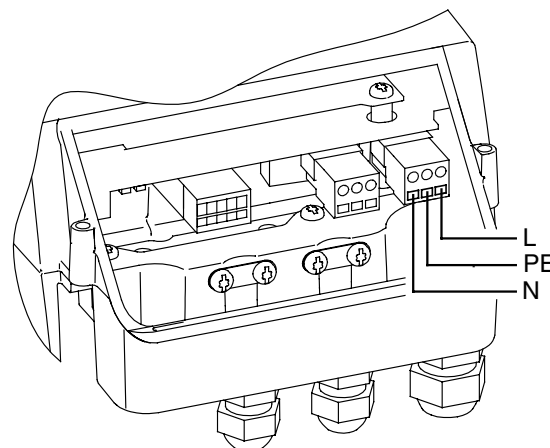


TM02 0792 0101

Il collegamento alla rete effettivo è illustrato in fig. 2.

Fig. 2

MGE 71 e MGE 80



TM02 1234 0701

2.1.7 Avviamento/arresto della pompa

Il numero di avviamenti e arresti mediante la tensione di alimentazione non dovrà superare le 4 volte all'ora.

Se si desidera un numero maggiore di avviamenti e arresti, si dovrà utilizzare l'ingresso per l'avviamento/arresto esterno.

Quando si accende la pompa attraverso la rete, questa si avvierà dopo circa 5 secondi.

2.2 Altri collegamenti

Nella figura 3 sono illustrati i morsetti di collegamento dei contatti esterni senza potenziale per l'avviamento/l'arresto esterno, il segnale del setpoint e il segnale del relè.

Nota: Se non è collegato alcun interruttore on/off esterno, cortocircuitare il morsetto 2 con il 3, utilizzando un conduttore corto.

Nota: A titolo precauzionale, i conduttori da collegare ai seguenti gruppi di connessione dovranno essere separati l'uno dall'altro per tutta la lunghezza da un isolamento rinforzato:

- Ingressi** (avviamento/arresto esterno e segnale del setpoint, morsetti 2 a 6).

Tutti gli ingressi (gruppo 1) sono separati internamente dalle parti conduttrici di rete da un isolamento rinforzato e separati galvanicamente da altri circuiti.

Tutti i morsetti di controllo sono alimentati da una tensione extra bassa di protezione (PELV), che assicura così la protezione contro le scosse elettriche.

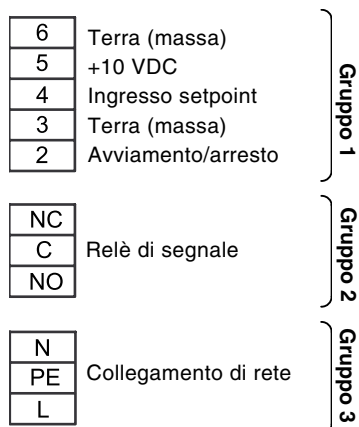
- Uscita** (segnale del relè, morsetti NC, NO, C).

L'uscita (gruppo 2) è separata galvanicamente dagli altri circuiti. Pertanto, è possibile collegare all'uscita la tensione di alimentazione o la tensione molto bassa di protezione, a seconda delle esigenze.

- Tensione di alimentazione** (morsetti L e N).

Una separazione galvanicamente sicura dovrà soddisfare i requisiti dell'isolamento rinforzato comprese le distanze di dispersione e le luci precisate in EN 50 178.

Fig. 3

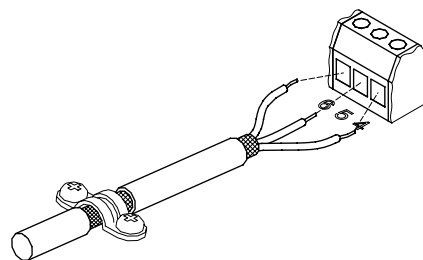


TM02 0793 0101

2.3 Cavi del segnale

- Utilizzare cavi schermati con una sezione minima di 0,5 mm² e massima di 1,5 mm² per l'interruttore on/off esterno e il segnale del setpoint.
- Le schermature dei cavi dovranno essere collegate a massa ad entrambe le estremità e dovranno trovarsi il più vicino possibile ai morsetti, fig. 4.

Fig. 4



TM00 7667 1696

- Le viti per i collegamenti a massa dovranno essere sempre serrate, indipendentemente dalla presenza o meno di un cavo.
- I conduttori nella morsettiera della pompa dovranno essere il più corti possibile.

3. Controllo della pompa

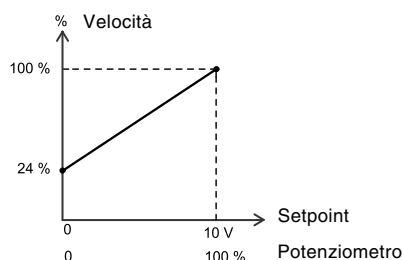
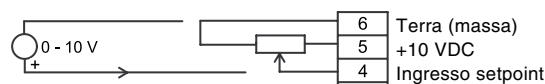
La pompa può essere collegata a un segnale esterno per il controllo a distanza delle prestazioni delle pompe.

3.1 Controllo della velocità delle pompe

La pompa può essere impostata attraverso un segnale d'ingresso, terminale 4.

E' possibile usare sia un segnale 0-10 V o un potenziometro

Fig. 5



TM02 0794 0101

La velocità della pompa può essere impostata tra il 24% e il 100% della velocità massima.

3.2 Ingresso di avviamento/arresto

La pompa può essere avviata e fermata tramite un contatto libero a terminale 2 e 3.

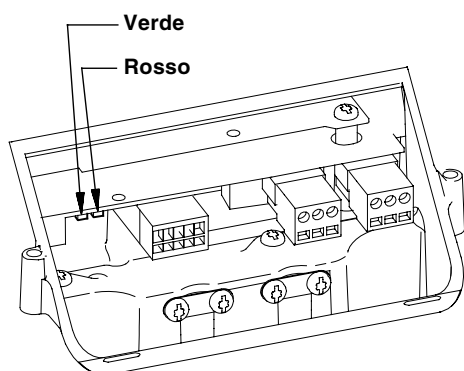
Schema funzionale: ingresso di avviamento/arresto:

Avviamento/arresto (morsetti 2 e 3)		
		Funzionamento normale
		Arresto

4. LED e relè del segnale

La condizione di funzionamento della pompa è indicata dai LED verde e rosso che si trovano nella morsettiere della pompa, fig. 6.


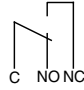
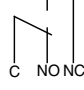
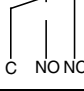
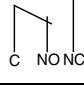
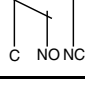
Fig. 6



TM02 0838 0301

La pompa è dotata di un'uscita per un segnale senza potenziale tramite un relè interno.

Le funzioni dei due LED e del relè del segnale sono illustrate nella seguente tabella:

LED		Funzione del relè	Descrizione
Guasto (rosso)	Funzionamento (verde)		
Spento	Spento		L'alimentazione elettrica è stata tolta.
Spento	Acceso		La pompa è in funzione.
Spento	Lampeggiante		La pompa è stata impostata su arresto.
Acceso	Spento		La pompa è stata fermata a causa di un guasto. Verrà tentato il riavviamento (potrà essere necessario riavviare la pompa resettando l'indicazione di guasto).
Acceso	Acceso		La pompa è in funzione, ma è stata fermata a causa di un guasto.
Acceso	Lampeggiante		La pompa è stata impostata sull'arresto, ma è stata fermata a causa di un guasto.

In caso di indicazione di guasto, la causa può essere una delle seguenti:

- Temperatura del motore troppo elevata
- Sottotensione
- Sovratensione
- Troppi ri-avviamenti (dopo i guasti)
- Sovraccarico
- Marcia a secco
- Altro guasto

L'indicazione di guasto può venire resettata in uno dei seguenti modi:

- Aprire le connessioni tra il terminale 2 e 3 (arrestare la pompa).
- Togliendo brevemente la tensione di alimentazione.

5. Controllo mediante megger

Nota: Non è ammesso il controllo mediante megger di un impianto che comprende E-pump poiché si potrebbe danneggiare l'elettronica incorporata.

6. Dati tecnici

Vedere le targhette di identificazione.

6.1 Alimentazione elettrica

Alimentazione elettrica della pompa

1 x 200-240 V \pm 10%, 50/60 Hz, PE.

Fusibile

Max. 10 A.

Si possono utilizzare fusibili standard di tipo rapido o lento.

6.2 Corrente di dispersione

Corrente di dispersione a massa < 3,5 mA.

Le correnti di dispersione vengono misurate in conformità con EN 60 355-1.

6.3 Ingressi/uscita

Avviamento/arresto

Interruttore esterno senza potenziale.

Tensione: 5 VDC.

Corrente: < 5 mA.

Cavo schermato.*

Segnali dei setpoint

- Potenziometro
0-10 VDC, 10 k Ω (mediante tensione interna).
Cavo schermato.*
Lunghezza massima del cavo: 100 m.
- Segnale in tensione
0-10 VDC, R_i > 50 k Ω .
Tolleranza: +0%/-3% in corrispondenza del segnale di tensione massima.
Cavo schermato.*
Lunghezza massima del cavo: 500 m.

Uscita del segnale

Contatto di commutazione senza potenziale.

Carico massimo di contatto: 250 VAC, 2 A.

Carico minimo di contatto: 5 VDC, 1 mA.

Cavo schermato: 0,5 - 2,5 mm².

Lunghezza massima del cavo: 500 m.

* Sezione min. 0,5 mm² e max. 1,5 mm².

6.4 Altri dati tecnici

EMC (compatibilità elettromagnetica)

EN 61 800-3.

Il motore rispetta la norma EN 50 178.

Classe di protezione

Standard: IP 55 (IEC 34-5).

Classe di isolamento

F (IEC 85).

Temperatura ambiente

Di funzionamento: da -20°C a +40°C.

Di immagazzinaggio/trasporto: da -40°C a +60°C.

Umidità relativa

Massima 95%.

6.5 Livello della pressione acustica

Il livello della pressione acustica è inferiore a 70 dB(A).

7. Smaltimento

Lo smaltimento di questo prodotto, o di parte di esso, deve essere effettuato secondo le seguenti regole generali:

1. Usare i sistemi locali, pubblici o privati, di raccolta dei rifiuti.
2. In caso che tali sistemi non esistano o non possano smaltire tale materiale, allora inviare il rifiuto alla più vicina GRUNDFOS o officina di assistenza autorizzata.



CONTENIDO

	Página
1. General	32
2. Instalación	32
2.1 Conexión eléctrica	32
2.1.1 Interruptor eléctrico	32
2.1.2 Protección contra choque eléctrico – contacto indirecto	32
2.1.3 Protección adicional	32
2.1.4 Protección de motor	32
2.1.5 Protección contra sobrevoltaje	32
2.1.6 Tensión de alimentación	32
2.1.7 Arranque/parada de la bomba	33
2.2 Otras conexiones	33
2.3 Cables de señales	33
3. Control de la bomba	33
3.1 Control de velocidad	33
3.2 Entrada de arranque/parada	33
4. Luces testigo y relé de señal	34
5. Megado	34
6. Datos técnicos	35
6.1 Suministro eléctrico	35
6.2 Corriente de fugas	35
6.3 Entradas/salida	35
6.4 Otros datos técnicos	35
6.5 Nivel de ruido	35
7. Eliminación	35



Antes de empezar con los procedimientos de instalación, deben estudiarse cuidadosamente estas Instrucciones. **Además hay que estudiar detenidamente las Instrucciones de Instalación y Funcionamiento adjuntas para las bombas estándar** que deben cumplir con las normativas locales.

1. General

Las bombas GRUNDFOS tipo E incorporan motores estándar con control de frecuencia incorporado.

Las bombas incorporan entradas para contactos externos de libre potencial para arranque/parada y una señal de ajuste externo, una salida para una señal de libre potencial.

La velocidad de la bomba y su rendimiento puede ser controlado por una señal externa de 0-10 V o por un potenciómetro.

2. Instalación

Para asegurar la refrigeración del motor y componentes electrónicos hay que tener en cuenta lo siguiente:

- Montar la bomba de modo que haya suficiente refrigeración.
- La temperatura del aire de refrigeración no debe superar los 40°C.
- Las aletas de enfriamiento y las paletas del ventilador deben mantenerse limpias.

Para más información ver Instrucciones de Instalación y Funcionamiento para bombas estándar.

2.1 Conexión eléctrica

Nota: El usuario o el instalador es responsable de la instalación de la conexión a tierra y protección correctas de acuerdo con la normativa local vigente, que debe realizarse por un electricista autorizado.



Nunca manipular conexiones en la caja de conexiones sin haber desconectado el suministro eléctrico durante por lo menos 5 minutos.

2.1.1 Interruptor eléctrico

La bomba debe conectarse a un interruptor eléctrico externo con una separación de contacto de por lo menos 3 mm en cada polo según IEC 364.

2.1.2 Protección contra choque eléctrico – contacto indirecto



La bomba debe estar conectada a tierra y protegida contra contacto indirecto de acuerdo con la normativa local.

Los conductores de protección a tierra deben siempre estar marcados en color amarillo/verde (PE) o amarillo/verde/azul (PEN).

2.1.3 Protección adicional

Si la bomba está conectada a una instalación eléctrica donde se utiliza un diferencial a tierra como protección adicional, éste tiene que estar marcado con el siguiente símbolo:



Nota: A la hora de elegir un diferencial a tierra hay que tener en cuenta la corriente total de fuga de todo el equipo eléctrico de la instalación.

La corriente de fuga de la bomba está indicada en sección 6.2 Corriente de fugas.

2.1.4 Protección de motor

La bomba no necesita protección externa. Incorpora protección térmica contra sobrecarga progresiva y bloqueo (IEC 34-11: TP 211).

2.1.5 Protección contra sobrevoltaje

La bomba está protegida contra sobrevoltaje mediante varistores incorporados entre la fase y neutro y entre la fase y tierra.

2.1.6 Tensión de alimentación

1 x 200-240 V \pm 10%, 50/60 Hz, PE.

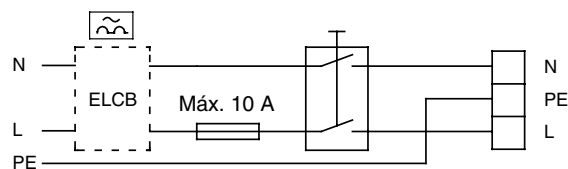
La tensión de alimentación y la frecuencia están indicadas en la placa de identificación de la bomba. Comprobar que el motor es adecuado al suministro eléctrico en el que va a utilizarse.

Los cables en la caja de conexiones del motor deben ser lo más cortos posible, excepto el conductor de protección a tierra que debe ser tan largo que se desconecta el último si se tira involuntariamente del cable de su entrada.

Fig. 1 muestra un ejemplo de una bomba conectada a la red con interruptor eléctrico, fusibles de reserva y protección adicional.

Fig. 1

MGE 71 y MGE 80

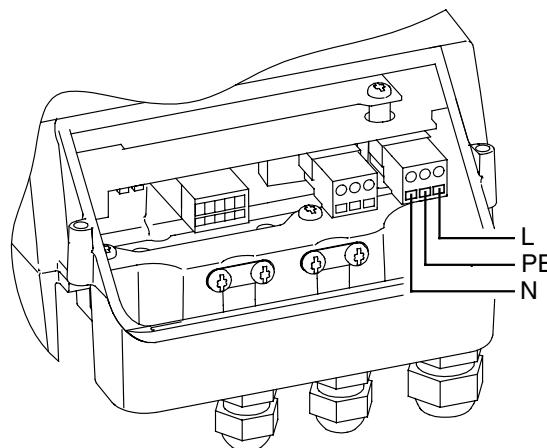


TM02 0792 0101

Fig. 2 muestra la conexión eléctrica actual.

Fig. 2

MGE 71 y MGE 80



TM02 1234 0701

2.1.7 Arranque/parada de la bomba

El número de arranques y paradas a través de la red no debe superar 4 cada hora.

Si se desean más arranques y paradas, hay que utilizar la entrada prevista para arranque/parada externa al arrancar/parar la bomba.

Cuando se conecta la bomba a través de la red, se pondrá en marcha después de aprox. 5 seg.

2.2 Otras conexiones

Los terminales de conexión de los contactos externos de libre potencial para arranque/parada, señal externa del punto de ajuste y señal del relé están indicados en fig. 3.

Nota: Si no se conecta ningún interruptor on/off externo, puentear los terminales 2 y 3 utilizando un cable corto.

Nota: Como medida de precaución, los cables que van a conectarse a los siguientes grupos de conexión deben estar separados entre sí mediante aislamiento reforzado en toda su longitud.

- **Entradas** (arranque/parada externo y señal del punto de ajuste, terminales 2 a 6).

Todas las entradas (grupo 1) están aisladas de los componentes de suministro de red mediante aislamiento reforzado y separadas galvánicamente de otros circuitos.

Todos los terminales de control están alimentados con tensión de protección muy baja, protegiendo por tanto contra choques eléctricos.

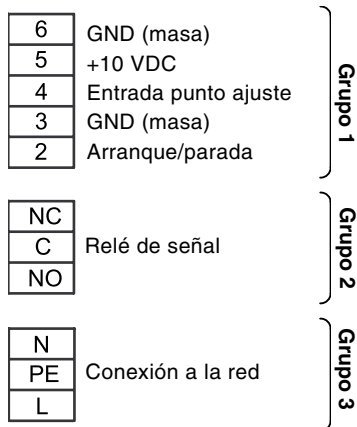
- **Salida** (señal de relé, terminales NC, NO, C).

La salida (grupo 2) está separada galvánicamente de los otros circuitos. Por tanto, la tensión de alimentación o una tensión de protección muy baja puede conectarse a la salida, si así se desea.

- **Tensión de alimentación** (terminales L y N).

Una separación galvánicamente segura debe cumplir con los requisitos para aislamiento reforzado, incluyendo longitudes de frotamiento y holguras según EN 50 178.

Fig. 3

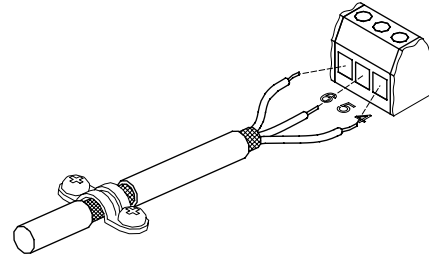


TM02 0793 0101

2.3 Cables de señales

- Utilizar cables apantallados con una sección de mín. 0,5 mm² y máx. 1,5 mm² para interruptor on/off externo y señal del punto de ajuste.
- Las pantallas de los cables deben conectarse a masa en ambos extremos con buena conexión a masa. Deben estar lo más cerca posible de los terminales, fig. 4.

Fig. 4



TM00 7667 1696

- Los tornillos para las conexiones a masa deben siempre apretarse, con o sin cable.
- Los cables de la caja de conexiones de la bomba deben ser lo más cortos posible.

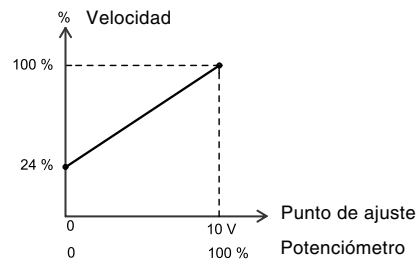
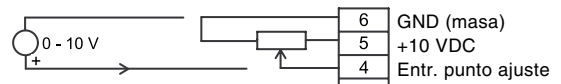
3. Control de la bomba

La bomba puede ser conectada a una señal externa para el control remoto de su curva.

3.1 Control de velocidad

La bomba se puede ajustar por medio del terminal de entrada 4. Se puede usar una señal de 0-10 V o un potenciómetro.

Fig. 5



TM02 0794 0101

La velocidad de la bomba puede ajustarse en un rango desde el 24% hasta el 100%.

3.2 Entrada de arranque/parada

Se puede arrancar o parar la bomba mediante un contacto externo de libre potencial conectado a los terminales 2 y 3.

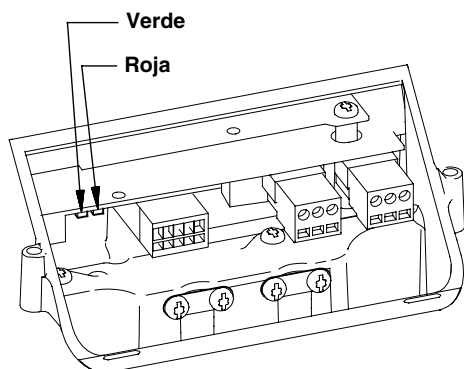
Diagrama de trabajo: Entrada de arranque/parada:

Arranque/parada (terminales 2 y 3)		
		Servicio normal
		Parada

4. Luces testigo y relé de señal

La condición de funcionamiento de la bomba está indicada mediante luces testigo verde y roja en la caja de conexiones de la bomba, fig. 6.


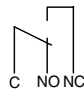
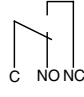
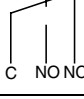
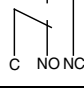
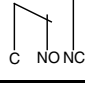
Fig. 6



TMO2 0838 0301

La bomba lleva una salida para una señal de libre potencial mediante un relé interno.

Las funciones de las dos luces testigo y del relé de señal están indicadas en la siguiente tabla:

Luces testigo		Función del relé	Descripción
Fallo (roja)	Funcionamiento (verde)		
Off	Off		El suministro eléctrico ha sido desconectado.
Off	Fija		La bomba está funcionando.
Off	Intermitente		La bomba está ajustada a parada.
Fija	Off		La bomba ha sido parada debido a un fallo. Intentará ponerse en marcha de nuevo (puede ser necesario borrar la indicación de fallo para volver a arrancar la bomba).
Fija	Fija		La bomba está funcionando, pero ha sido parada debido a un fallo.
Fija	Intermitente		La bomba está ajustada a parada, pero ha sido parada debido a un fallo.

En caso de indicación de un fallo, la causa puede ser una de las siguientes:

- Temperatura del motor demasiado alta
- Bajo voltaje
- Sobrevoltaje
- Demasiados rearranques (después del fallo)
- Sobrecarga
- Funcionamiento en seco
- Otro fallo

Se puede borrar una indicación de fallo de una de las siguientes maneras:

- De una forma sencilla interrumpiendo la conexión entre los terminales 2 y 3 (se para la bomba).
- Desconectar brevemente el suministro eléctrico a la bomba.

5. Megado

Nota: No está permitido hacer megado en una instalación con bombas E, ya que los componentes electrónicos incorporados pueden resultar dañados.

6. Datos técnicos

Ver las placas de identificación.

6.1 Suministro eléctrico

Suministro eléctrico a la bomba

1 x 200-240 V \pm 10%, 50/60 Hz, PE.

Fusible de reserva

Máx. 10 A.

Se pueden utilizar fusibles estándar así como de acción rápida o retardada.

6.2 Corriente de fugas

Corriente a tierra < 3,5 mA.

Las corrientes de fuga se miden según EN 60 355-1.

6.3 Entradas/salida

Arranque/parada

Interruptor externo de libre potencial.

Tensión: 5 VDC.

Corriente: < 5 mA.

Cable apantallado.*

Señales del punto de ajuste

- Potenciómetro
0-10 VDC, 10 k Ω (mediante el suministro eléctrico interno).
Cable apantallado.*
Longitud máxima del cable: 100 m.
- Señal de tensión
0-10 VDC, R_i > 50 k Ω .
Tolerancia: +0%/-3% a señal de tensión máxima.
Cable apantallado.*
Longitud máxima del cable: 500 m.

Salida de señal

Contacto de conmutación de libre potencial.

Carga de contacto máxima: 250 VAC, 2 A.

Carga de contacto mínima: 5 VDC, 1 mA.

Cable apantallado: 0,5 - 2,5 mm².

Longitud máxima del cable: 500 m.

* Sección mín. 0,5 mm² y máx. 1,5 mm².

6.4 Otros datos técnicos

EMC (compatibilidad electromagnética)

EN 61 800-3.

El motor cumple con EN 50 178.

Clase de protección

Estándar IP 55 (IEC 34-5).

Clase de aislamiento

F (IEC 85).

Temperatura ambiente

Durante funcionamiento: -20°C a +40°C.

Durante almacenaje/transporte: -40°C a +60°C.

Humedad relativa del aire

Máx. 95%.

6.5 Nivel de ruido

El nivel de ruido de la bomba es inferior a 70 dB(A).

7. Eliminación

La eliminación de este producto o partes de él debe realizarse según las siguientes directrices:

1. Utilice el Servicio local, público o privado, de recogida de residuos.
2. En caso de que tal servicio no exista o no pueda tratar los materiales utilizados en el producto, por favor entréguelo a su distribuidor GRUNDFOS o taller de reparación más cercano.

ÍNDICE

	Página
1. Geral	36
2. Instalação	36
2.1 Ligações eléctricas	36
2.1.1 Disjuntor geral	36
2.1.2 Protecção contra choques eléctricos – contactos indirectos	36
2.1.3 Protecção adicional	36
2.1.4 Protecção do motor	36
2.1.5 Protecção contra sobretensões	36
2.1.6 Alimentação eléctrica	36
2.1.7 Arranque/paragem da bomba	37
2.2 Outras ligações	37
2.3 Cabos de sinais	37
3. Controlo da bomba	37
3.1 Controlo da velocidade da bomba	37
3.2 Entrada de arranque/paragem	38
4. Sinalizadores luminosos e relé do sinal	38
5. Teste de isolamento	38
6. Dados técnicos	39
6.1 Alimentação eléctrica	39
6.2 Corrente de defeito	39
6.3 Entradas/saída	39
6.4 Outros dados técnicos	39
6.5 Nível de ruído	39
7. Destruição	39



Antes de começar os procedimentos de instalação, estas instruções de instalação e funcionamento devem ser estudadas cuidadosamente. **Além disso, as instruções de instalação e funcionamento para bombas standard devem ser estudadas cuidadosamente.** A instalação e o funcionamento devem estar de acordo com os regulamentos locais e as práticas correntes aceites.

1. Geral

As bombas-E GRUNDFOS são bombas preparadas com motores normalizados com conversor de frequência.

A bomba tem incorporadas entradas para contactos externos livres de potencial para arranque/paragem e um sinal de ponto pré-fixado externo, tal como também uma saída livre de potencial para leitura de sinais.

A velocidade e o desempenho da bomba podem ser alterados à distância através de um sinal externo de 0-10 V ou através de um potenciómetro.

2. Instalação

Para garantir o arrefecimento do motor e electrónica, deve fazer-se o seguinte:

- Colocar a bomba de forma a que seja assegurado o arrefecimento necessário.
- A temperatura de arrefecimento do ar não deve exceder os 40°C.
- As alhetas de arrefecimento do motor e as pás da ventoinha devem manter-se limpas.

Para outras instalações, ver instruções de instalação e funcionamento de bombas standard.

2.1 Ligações eléctricas

Nota: O utilizador ou o instalador é responsável pela instalação das ligações à terra e das protecções correctas de acordo com as normas locais. Todas as operações devem ser levadas a cabo por electricistas qualificados.



Antes de retirar a tampa da caixa de terminais, certifique-se de que a alimentação eléctrica foi desligada, pelo menos, há 5 minutos.

2.1.1 Disjuntor geral

A bomba deve ser ligada a um disjuntor geral externo com uma distância de pelo menos 3 mm entre cada pólo, de acordo com o CEI 364.

2.1.2 Protecção contra choques eléctricos – contactos indirectos



A bomba deve estar ligada à terra e protegida contra contactos indirectos, de acordo com os regulamentos nacionais.

As protecções dos condutores terra devem ter sempre uma marcação colorida em amarelo/verde (PE) ou amarelo/verde/azul (PEN).

2.1.3 Protecção adicional

Se a bomba estiver ligada a uma instalação eléctrica onde seja utilizado um disjuntor diferencial de passagem à terra como protecção adicional, este disjuntor deverá estar marcado com o seguinte símbolo:



Nota: Quando é seleccionado um disjuntor diferencial de passagem à terra, deve ser considerada a fuga fatal de corrente em todo o equipamento eléctrico da instalação.

As correntes de defeito nas bombas podem ser encontradas na secção 6.2 *Corrente de defeito*.

2.1.4 Protecção do motor

A bomba não necessita de protecção externa. O motor tem incorporada protecção térmica contra sobrecargas lentas e bloqueios (CEI 34-11: TP 211).

2.1.5 Protecção contra sobretensões

A bomba é protegida contra sobretensões através de varistores ligados entre fase neutro e fase terra.

2.1.6 Alimentação eléctrica

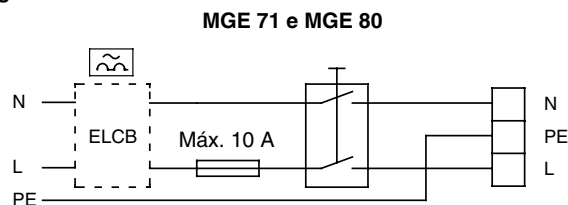
1 x 200-240 V \pm 10%, 50/60 Hz, PE.

A tensão de alimentação e a frequência são marcadas na placa de identificação da bomba. Certifique-se de que o motor é adequado para a tensão de alimentação em que será utilizado.

Os condutores na caixa terminal da bomba devem ser o mais curto possível. Excluído disto deve ser o condutor terra que deve ser tão longo que seja o último a desligar-se no caso de o cabo ser inadvertidamente desligado.

A figura 1 mostra o exemplo de uma bomba com um disjuntor geral, fusíveis de apoio e protecção adicional.

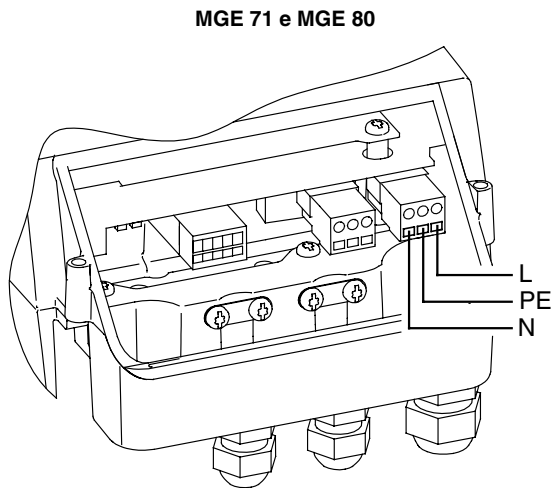
Fig. 1



TM02 0792 0101

As ligações principais actuais são mostradas na fig. 2.

Fig. 2



2.1.7 Arranque/paragem da bomba

O número de arranques e paragens através da alimentação geral não deve exceder 4 vezes por hora.

Se desejar um maior número de arranques e paragens da bomba, a entrada para paragem/arranque externa deve ser utilizada para arranques e paragens da bomba.

Quando a bomba é ligada para arranque através da alimentação, a bomba arrancará após aprox. 5 segundos.

2.2 Outras ligações

Os terminais de contactos externos livres de potencial para arranque/paragem, sinal de ponto desejado externo e sinal do relé são mostrados na figura 3.

Nota: Se não estiver ligado o interruptor externo, deve-se provocar um curto-circuito nos terminais 2 e 3 usando um condutor curto.

Nota: Como precaução, os condutores a serem ligados nos seguintes grupos, têm de ser separados cada um dos outros por isolamento reforçado em todo o seu comprimento:

1. **Entradas** (arranque/paragem externa e sinal de ponto pré-fixado, terminais 2 a 6).

Todas as entradas (grupo 1) são internamente separadas das partes condutoras da alimentação por isolamento reforçado e galvanicamente separadas dos outros circuitos.

Todos os terminais de controlo são alimentados por uma tensão muito baixa de protecção (TMBP), que assegura protecção eléctrica contra choques.

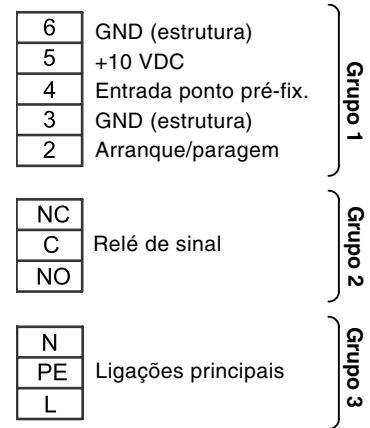
2. **Saída** (relé de sinal, terminais NC, NO, C).

A saída (grupo 2) é separada galvanicamente dos outros circuitos. Por outro lado, a tensão de alimentação ou a tensão muito baixa de protecção pode ser ligada à saída como desejado.

3. **Tensão de alimentação** (terminais L e N).

A separação eléctrica galvânica de segurança tem de cumprir os requerimentos para isolamento reforçado incluindo diminuição de distâncias e folgas especificadas na norma NE 50 178.

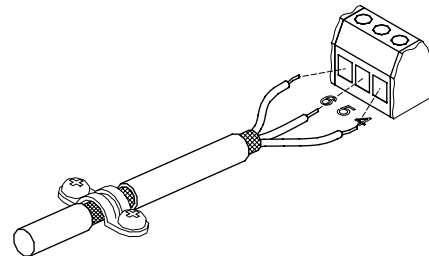
Fig. 3



2.3 Cabos de sinais

- Utilizar cabos blindados tendo uma secção mínima de 0,5 mm² e máx. 1,5 mm² para interruptor externo ligar/desligar e sinal de ponto pré-fixado.
- As blindagens dos cabos devem ser ligadas à estrutura nas duas pontas e bem apertado. Devem estar o mais perto possível dos terminais, fig. 4.

Fig. 4



- Os parafusos para ligação à estrutura devem estar sempre apertados quer o cabo esteja montado ou não.
- Os condutores na caixa de terminais da bomba devem ser o mais curto possível.

3. Controlo da bomba

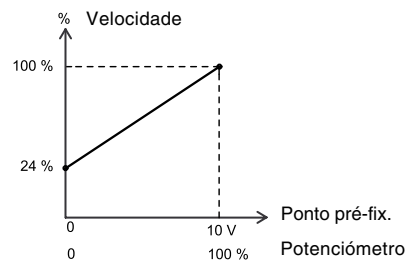
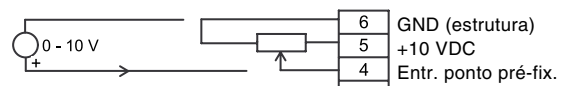
A bomba pode ser ligada a sinais externos por controlo à distância para melhoramento do desempenho da bomba.

3.1 Controlo da velocidade da bomba

A velocidade da bomba pode ser ajustada através da entrada do sinal de ponto desejado, terminal 4.

Se for possível usar um sinal externo de 0-10 V ou um potenciómetro.

Fig. 5



A velocidade da bomba pode ser ajustada dentro da variação de 24% até 100%.

TM02 0793 0101

TM00 7667 1696

TM02 0794 0101

3.2 Entrada de arranque/paragem

A bomba pode arrançar e parar através de um contacto externo livre de potencial ligado aos terminais 2 e 3.

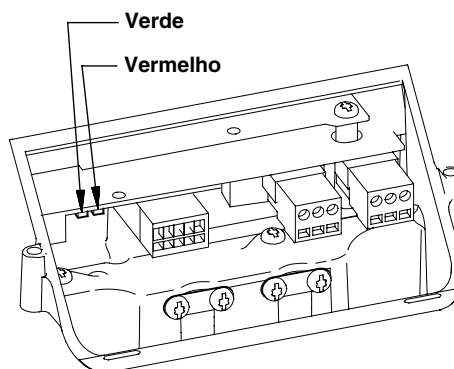
Diagrama de funções: Entrada de arranque/paragem

Arranque/paragem (terminais 2 e 3)		
		Funcionamento normal
		Paragem

4. Sinalizadores luminosos e relé do sinal

A condição de funcionamento da bomba é indicada por sinalizadores luminosos verde e vermelha na caixa de terminais da bomba, fig. 6.

Fig. 6



TMO2 0838 0301

A bomba incorpora uma saída para sinais livres de potencial através de um relé interno.

As funções dos dois sinalizadores luminosos e o relé de sinal são mostrados no seguinte quadro:

Sinalizadores luminosos		Função do relé	Descrição
Avaria (vermelho)	Funcionamento (verde)		
Desligado	Desligado		A alimentação eléctrica foi desligada.
Desligado	Permanente-mente ligada		A bomba está em funcionamento.
Desligado	Intermitente		A bomba foi parada.
Permanente-mente ligada	Desligado		A bomba foi parada por uma avaria. Rearranque será efectuado. (Pode ser necessário rearrançar a bomba por rearme da indicação de avaria.)
Permanente-mente ligada	Permanente-mente ligada		A bomba está a operar, mas foi parada devido à avaria.
Permanente-mente ligada	Intermitente		A bomba foi seleccionada para parar, mas parou por ter havido uma avaria.

Em caso de indicação de falha, esta pode ser uma das seguintes:

- Temperatura do motor elevada
- Subtensão
- Sobretensão
- Demasiados arranques (após falhas)
- Sobrecarga
- Falta de água
- Outra avaria

A indicação de avaria pode ser rearmada de uma das seguintes maneiras:

- Através de uma rápida abertura entre as ligações dos terminais 2 e 3 (paragem da bomba).
- Desligando rapidamente a alimentação à bomba.

5. Teste de isolamento

Nota: O teste de isolamento numa instalação contendo bombas E não é permitido, pois pode danificar os componentes electrónicos integrados.

6. Dados técnicos

Ver placa de identificação.

6.1 Alimentação eléctrica

Alimentação eléctrica da bomba

1 x 200-240 V \pm 10%, 50/60 Hz, PE.

Fusíveis de apoio (reserva)

Máx. 10 A.

Podem ser utilizados os fusíveis standard, bem como os de fusão rápida ou de fusão lenta.

6.2 Corrente de defeito

Corrente de defeito à terra < 3,5 mA.

As correntes de defeito são medidas de acordo com o NE 60 355-1.

6.3 Entradas/saída

Arranque/paragem

Interruptor externo livre de potencial.

Voltagem: 5 VDC.

Corrente: < 5 mA.

Cabo blindado.*

Sinais do ponto pré-fixado

- Potenciómetro
0-10 VDC, 10 k Ω (através de alimentação interna de tensão).
Cabo blindado.*
Comprimento máximo do cabo: 100 m.
- Sinal de tensão
0-10 VDC, R_i > 50 k Ω .
Tolerância: +0%/-3% no sinal de tensão máxima.
Cabo blindado.*
Comprimento máximo do cabo: 500 m.

Saída de sinal

Contacto inversor livre de potencial.

Carga máxima de contacto: 250 VAC, 2 A.

Carga mínima de contacto: 5 VDC, 1 mA.

Cabo blindado: 0,5 - 2,5 mm².

Comprimento máximo do cabo: 500 m.

* Secção de passagem com o mínimo de 0,5 mm² e o máximo de 1,5 mm².

6.4 Outros dados técnicos

CEM (compatibilidade electromagnética)

NE 61 800-3.

O motor em conformidade com a norma NE 50 178.

Classe de protecção

Standard: IP 55 (CEI 34-5).

Classe isolamento

F (IEC 85).

Temperatura ambiente

Durante o funcionamento: -20°C a +40°C.

Durante o armazenamento/transporte: -40°C a +60°C.

Humidade relativa do ar

Máximo: 95%.

6.5 Nível de ruído

O nível de ruído da bomba é inferior a 70 dB(A).

7. Destruição

A destruição deste produto ou parte dele deve ser realizada de acordo com os seguintes pontos:

1. Utilizar os serviços de recolha locais ou privadas.
2. No caso de não existir um serviço de recolha ou de não efectuar o tratamento dos materiais utilizados neste produto, agradece-se a entrega do produto ou qualquer material perigoso pertencente a ele à empresa GRUNDFOS ou oficina de serviço mais próxima.



ΠΕΡΙΕΧΟΜΕΝΑ

	Σελίδα
1. Γενικά	40
2. Εγκατάσταση	40
2.1 Ηλεκτρική σύνδεση - μονοφασικές αντλίες	40
2.1.1 Γενικός διακόπτης	40
2.1.2 Προστασία από ηλεκτροπληξία - έμμεση επαφή	40
2.1.3 Πρόσθετη προστασία	40
2.1.4 Προστασία κινητήρα	40
2.1.5 Προστασία από υπέρταση	40
2.1.6 Ηλεκτρική παροχή	40
2.1.7 Εκκίνηση/παύση	41
2.2 Άλλες συνδέσεις	41
2.3 Καλώδια σημάτων	41
3. Έλεγχος αντλίας	41
3.1 Έλεγχος στροφών αντλίας	41
3.2 Είσοδος εκκίνησης/παύσης	42
4. Ενδεικτικές λυχνίες και ρελέ σήματος	42
5. Μέτρηση αντίστασης μόνωσης	42
6. Τεχνικά χαρακτηριστικά	43
6.1 Ηλεκτρική παροχή	43
6.2 Ρεύμα διαρροής	43
6.3 Είσοδοι/εξοδοί	43
6.4 Άλλα τεχνικά χαρακτηριστικά	43
6.5 Στάθμη ηχητικής πίεσης	43
7. Απόρριψη	43



Πριν ξεκινήσετε τις διαδικασίες εγκατάστασης, θα πρέπει να μελετήσετε προσεκτικά τις Οδηγίες Εγκατάστασης και Λειτουργίας. **Επίσης θα πρέπει να μελετήσετε προσεκτικά τις εσώκλειστες Οδηγίες Εγκατάστασης και Λειτουργίας για την απλή αντλία.** Η εγκατάσταση και η λειτουργία πρέπει να γίνονται σύμφωνα με τους τοπικούς κανονισμούς και τους παραδεκτούς κανόνες καλής χρήσης.

1. Γενικά

Οι αντλίες E της GRUNDFOS είναι αντλίες εφοδιασμένες με τυποποιημένους κινητήρες που περιλαμβάνουν μετατροπέα συχνότητας.

Η αντλία περιλαμβάνει εισόδους για εξωτερική ψυχρή επαφή εκκίνησης/παύσης και ένα εξωτερικό σήμα επιθυμητού σημείου καθώς και μία έξοδο ελεύθερης επαφής για ένδειξη ετοιμότητας.

Οι στρόφες της αντλίας και επομένως η απόδοσή της μπορούν να ελεγχθούν από μακριά με ένα σήμα 0-10 V ή ένα ποτενσιόμετρο.

2. Εγκατάσταση

Για την εξασφάλιση της ψύξης του κινητήρα και των ηλεκτρονικών, θα πρέπει να τηρούνται τα ακόλουθα:

- Τοποθετήστε την αντλία έτσι ώστε να εξασφαλίζεται επαρκής ψύξη.
- Η θερμοκρασία του αέρα ψύξης δεν πρέπει να ξεπερνά τους 40°C.
- Τα πτερύγια ψύξης του κινητήρα και τα πτερύγια του ανεμιστήρα πρέπει να διατηρούνται καθαρά.

Για περισσότερες πληροφορίες σχετικά με τη διαδικασία εγκατάστασης, συμβουλευτείτε τις Οδηγίες Εγκατάστασης και Λειτουργίας της απλής αντλίας.

2.1 Ηλεκτρική σύνδεση - μονοφασικές αντλίες

Σημείωση: Ο χρήστης ή ο εγκαταστάτης είναι υπεύθυνος για την εγκατάσταση σωστής γείωσης και προστασίας σύμφωνα με τους ισχύοντες εθνικούς και τοπικούς κανονισμούς. Όλες οι εργασίες πρέπει να γίνονται από ειδικευμένο ηλεκτρολόγο.



Ποτέ μην κάνετε συνδέσεις στο ακροκίβωτο της αντλίας αν δεν έχετε προηγουμένως διακόψει την ηλεκτρική παροχή για 5 λεπτά τουλάχιστον.

2.1.1 Γενικός διακόπτης

Η αντλία πρέπει να συνδεθεί σε έναν εξωτερικό διπολικό διακόπτη με κενό επαφών 3 mm τουλάχιστον σε κάθε πόλο, σύμφωνα με το IEC 364.

2.1.2 Προστασία από ηλεκτροπληξία - έμμεση επαφή



Η αντλία πρέπει να γειωθεί και να προστατευθεί από έμμεση επαφή σύμφωνα με τους εθνικούς κανονισμούς.

Οι προστατευτικοί αγωγοί γείωσης πρέπει πάντα να έχουν κίτρινη/πράσινη (PE) ή κίτρινη/πράσινη/μπλέ (PEN) χρωματική σήμανση.

2.1.3 Πρόσθετη προστασία

Αν η αντλία συνδέεται σε μια ηλεκτρική εγκατάσταση που διαθέτει ένα ρελέ διαρροής προς τη γείωση ως πρόσθετη προστασία, το ρελέ αυτό θα πρέπει να φέρει το ακόλουθο σύμβολο:



ELCB

Σημείωση: Όταν επιλέγεται ένα ρελέ διαρροής, θα πρέπει να λαμβάνετε υπόψη το συνολικό ρεύμα διαρροής από όλες τις ηλεκτρικές συσκευές της εγκατάστασης.

Το ρεύμα διαρροής της αντλίας μπορεί να βρεθεί στην παράγραφο 6.2 Ρεύμα διαρροής.

2.1.4 Προστασία κινητήρα

Η αντλία δεν χρειάζεται εξωτερική προστασία. Ο κινητήρας περιλαμβάνει θερμική προστασία από αργή υπερφόρτωση και μπλοκάρισμα (IEC 34-11: TP 211).

2.1.5 Προστασία από υπέρταση

Η αντλία προστατεύεται από υπέρταση με ενσωματωμένα varistors μεταξύ φάσης - ουδετέρου και φάσης - γείωσης.

2.1.6 Ηλεκτρική παροχή

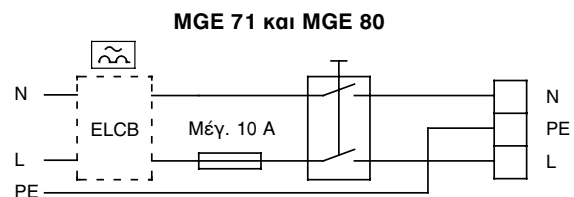
1 x 200-240 V ± 10%, 50/60 Hz, PE.

Η τάση ηλεκτρικής παροχής και η συχνότητα φαίνονται στην πινακίδα της αντλίας. Παρακαλούμε ελέγξτε ότι ο κινητήρας είναι κατάλληλος για την παροχή στην οποία πρόκειται να συνδεθεί.

Τα καλώδια σύνδεσης στο ακροκίβωτο πρέπει να είναι όσο το δυνατό πιο κοντά. Εξαιρέση αποτελεί το καλώδιο της γείωσης, το οποίο θα πρέπει να είναι τόσο μακρύ ώστε να είναι το τελευταίο που θα αποσυνδεθεί αν από λάθος τραβηχθεί το καλώδιο της παροχής μέσα από τον στυπιοθλίπτη.

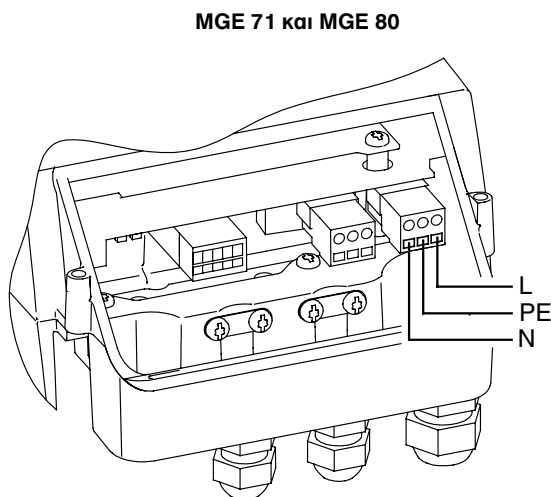
Το σχήμα 1 δείχνει ένα παράδειγμα μιάς συνδεδεμένης αντλίας στο δίκτυο με γενικό διακόπτη, ασφάλειες και πρόσθετη προστασία.

Σχ. 1



TM02 0792 0101

Η πραγματική ηλεκτρική σύνδεση φαίνεται στο σχ. 2.
Σχ. 2



TM02 1234 0701

2.1.7 Εκκίνηση/παύση

Ο αριθμός των εκκινήσεων και των παύσεων μέσω της ηλεκτρικής παροχής δεν πρέπει να υπερβαίνει τις 4 ανά ώρα.

Εάν επιθυμείτε μεγαλύτερο αριθμό εκκινήσεων και παύσεων, η είσοδος για εξωτερική εκκίνηση/παύση πρέπει να χρησιμοποιείται κατά την εκκίνηση/παύση της αντλίας.

Όταν η αντλία τίθεται σε λειτουργία συνδεδεμένη με το δίκτυο, ξεκινά περίπου μετά από 5 δευτερόλεπτα.

2.2 Άλλες συνδέσεις

Τα άκρα σύνδεσης των εξωτερικών ψυχρών επαφών για εκκίνηση/παύση, σήμα εξωτερικού επιθυμητού σημείου και ρελέ σήματος φαίνονται στο σχ. 3.

Σημείωση: Αν δεν συνδεθεί εξωτερικός διακόπτης ON/OFF, γεφυρώστε τα άκρα 2 και 3 χρησιμοποιώντας ένα κοντό καλώδιο.

Σημείωση: Ως επιπλέον προστασία, τα καλώδια που θα συνδεθούν στις παρακάτω ομάδες σύνδεσης πρέπει να ξεχωρίζουν μεταξύ τους με ενισχυμένη μόνωση σε όλο τους το μήκος:

1. **Είσοδοι** (εξωτερική εκκίνηση/παύση και σήματα επιθυμητού σημείου, άκρα 2 έως 6).

Όλοι οι είσοδοι (ομάδα 1) είναι εσωτερικά απομονωμένοι από τους αγωγούς τροφοδοσίας με ενισχυμένη μόνωση και γαλβανικά απομονωμένοι από άλλα κυκλώματα.

Όλα τα άκρα ελέγχου τροφοδοτούνται με προστατευτική πολύ χαμηλή τάση (PELV), εξασφαλίζοντας έτσι προστασία από ηλεκτροπληξία.

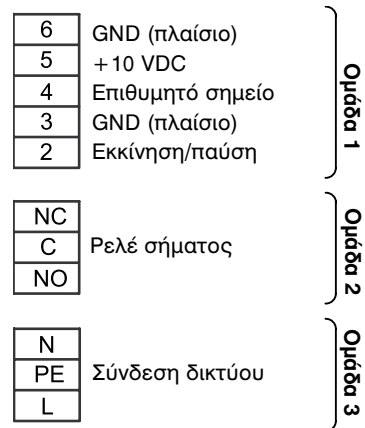
2. **Εξοδοι** (ρελέ σήματος, άκρα NC, NO, C).

Η έξοδος (ομάδα 2) είναι γαλβανικά απομονωμένη από άλλα κυκλώματα. Επομένως, η τάση παροχής ή άλλη προστατευτική πολύ χαμηλή τάση μπορεί να συνδεθεί στην έξοδο κατά βούληση.

3. **Τάση τροφοδοσίας** (άκρα L και N).

Μια γαλβανικά ασφαλής απομόνωση πρέπει να πληροί τις απαιτήσεις ενισχυμένης μόνωσης, συμπεριλαμβανομένων των αποστάσεων διαπήδησης και τα κενά των επαφών κατά EN 50 178.

Σχ. 3

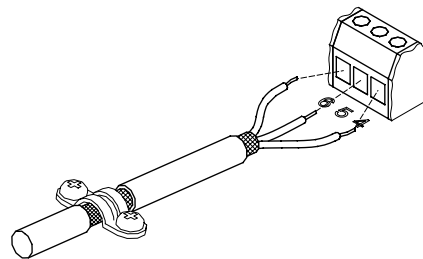


TM02 0793 0101

2.3 Καλώδια σημάτων

- Χρησιμοποιήστε θωρακισμένα καλώδια με διατομή τουλάχιστον 0,5 mm² και μέγιστη 1,5 mm² για εξωτερικό διακόπτη εκκίνησης/παύσης και σήματα επιθυμητού σημείου.
- Το πλέγμα των θωρακισμένων καλωδίων πρέπει να συνδεθεί στο πλαίσιο και στα δύο του άκρα με ασφαλή σύνδεση. Οι συνδέσεις αυτές πρέπει να είναι όσο το δυνατό πιο κοντά στα άκρα, σχ. 4.

Σχ. 4



TM00 7667 1696

- Οι βίδες σύνδεσης με το πλαίσιο θα πρέπει να είναι πάντα σφιγμένες είτε υπάρχει καλώδιο είτε όχι.
- Τα καλώδια για το ακροκιβώτιο της αντλίας πρέπει να είναι όσο το δυνατό πιο κοντά.

3. Ελεγχος αντλίας

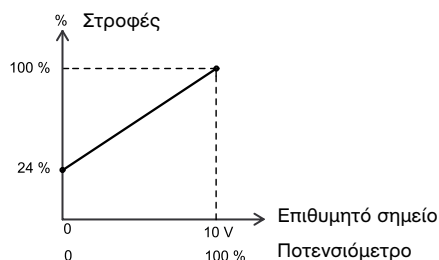
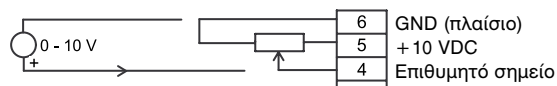
Η αντλία μπορεί να δεχθεί εξωτερικά σήματα για τον έλεγχο από μακριά της απόδοσής της.

3.1 Ελεγχος στροφών αντλίας

Οι στροφές της αντλίας μπορούν να ελεγχθούν από την είσοδο επιθυμητού σημείου, άκρο 4.

Είναι δυνατό να χρησιμοποιηθεί ένα σήμα 0-10 V ή ένα ποτενσιόμετρο.

Σχ. 5



TM02 0794 0101

Οι στροφές της αντλίας μπορούν να ρυθμισθούν από 24% έως 100%.

3.2 Είσοδος εκκίνησης/παύσης

Η αντλία μπορεί να εκκινήσει ή να σταματήσει μέσω εξωτερικής ψυχρής επαφής συνδεδεμένης στα άκρα 2 και 3.

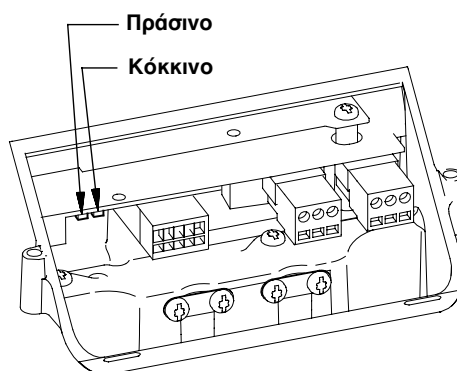
Λειτουργικό διάγραμμα: Είσοδος Εκκίνησης/παύσης:

Εκκίνηση/παύση (ακροδέκτες 2 και 3)		
		Κανονική λειτουργία
		Παύση

4. Ενδεικτικές λυχνίες και ρελέ σήματος

Η κατάσταση λειτουργίας της αντλίας υποδηλώνεται από την πράσινη και κόκκινη ενδεικτική λυχνία στο ακροκιβώτιο της αντλίας, σχ. 6.

Σχ. 6



TM02 0838 0301

Η αντλία διαθέτει μία έξοδο σήματος ελεύθερης επαφής μέσω σωτηρικού ρελέ.

Οι λειτουργίες των δύο ενδεικτικών λυχνιών και του ρελέ σήματος είναι όπως υποδεικνύονται στον ακόλουθο πίνακα:

Ενδεικτικές λυχνίες		Κατάσταση ρελέ	Περιγραφή
Βλάβη (κόκκινο)	Λειτουργία (πράσινο)		
OFF	OFF		Η ηλεκτρική παροχή έχει διακοπεί.
OFF	Μόνιμα ON		Η αντλία λειτουργεί.
OFF	Αναβοσβήνει		Η αντλία έχει τεθεί εκτός.
Μόνιμα ON	OFF		Η αντλία σταμάτησε από βλάβη. Θα επιχειρηθεί επανεκκίνηση. (Μπορεί να χρειάζεται επανάταξη της βλάβης.)
Μόνιμα ON	Μόνιμα ON		Η αντλία λειτουργεί, αλλά είχε σταματήσει λόγω βλάβης.
Μόνιμα ON	Αναβοσβήνει		Η αντλία έχει τεθεί εκτός, αλλά είχε διακόψει λόγω βλάβης.

Σε περίπτωση ένδειξης βλάβης, η αιτία μπορεί να είναι μία από τις ακόλουθες:

- Πολύ υψηλή θερμοκρασία κινητήρα
- Υπόταση
- Υπέρταση
- Πολλές εκκινήσεις
- Υπερφόρτωση
- Ξηρή λειτουργία
- Άλλη βλάβη

Μία ένδειξη βλάβης μπορεί να επαναταχθεί με έναν από τους ακόλουθους τρόπους:

- Διακόπτοντας για λίγο τη σύνδεση μεταξύ των άκρων 2 και 3 (η αντλία σταματά).
- Διακόπτοντας στιγμιαία την ηλεκτρική παροχή στην αντλία.

5. Μέτρηση αντίστασης μόνωσης

Σημείωση: Η μέτρηση της αντίστασης μόνωσης μιας εγκατάστασης που διαθέτει αντλίες E δεν επιτρέπεται, γιατί μπορεί να καταστρέψει τα ενσωματωμένα ηλεκτρονικά.

6. Τεχνικά χαρακτηριστικά

Βλέπε πινακίδες.

6.1 Ηλεκτρική παροχή

Ηλεκτρική παροχή της αντλίας

1 x 200-240 V \pm 10%, 50/60 Hz, PE.

Εφεδρική ασφάλεια

Μέγ. 10 A.

Κανονική αλλά μπορεί να χρησιμοποιηθεί και βραδείας ή ταχείας τήξης.

6.2 Ρεύμα διαρροής

Ρεύμα διαρροής γείωσης < 3,5 mA.

Τα ρεύματα διαρροής μετρώνται σύμφωνα με το EN 60 355-1.

6.3 Είσοδοι/εξοδοί

Εκκίνηση/παύση

Εξωτερικός διακόπτης ελεύθερης επαφής.

Τάση: 5 VDC.

Ρεύμα: < 5 mA.

Θωρακισμένο καλώδιο.*

Σήματα επιθυμητού σημείου

- Ποτενσιόμετρο
0-10 VDC, 10 k Ω (μέσω εσωτερικής τροφοδοσίας).
Θωρακισμένο καλώδιο.*
Μέγιστο μήκος καλωδίου: 100 m.
- Σήμα τάσης
0-10 VDC, R_i > 50 k Ω .
Ανοχή: +0%/-3% σε σήμα μέγιστης τάσης.
Θωρακισμένο καλώδιο.*
Μέγιστο μήκος καλωδίου: 500 m.

Εξόδος σήματος

Ελεύθερη επαφή εναλλαγής.

Μέγιστο φορτίο επαφής: 250 VAC, 2 A.

Ελάχιστο φορτίο επαφής: 5 VDC, 1 mA.

Θωρακισμένο καλώδιο: 0,5 - 2,5 mm².

Μέγιστο μήκος καλωδίου: 500 m.

* Ελάχιστη διατομή 0,5 mm² και μέγιστη 1,5 mm².

6.4 Άλλα τεχνικά χαρακτηριστικά

EMC (ηλεκτρομαγνητική συμβατότητα)

EN 61 800-3.

Ο κινητήρας πληρεί την προδιαγραφή EN 50 178.

Κατηγορία προστασίας

Τυποποιημένη: IP 55 (IEC 34-5).

Κατηγορία μόνωσης

F (IEC 85).

Θερμοκρασία περιβάλλοντος

Κατά την λειτουργία: -20 °C έως +40 °C.

Κατά την αποθήκευση/μεταφορά: -40 °C έως +60 °C.

Σχετική υγρασία αέρα

Μέγιστη 95%.

6.5 Στάθμη ηχητικής πίεσης

Η στάθμη ηχητικής πίεσης του κυκλοφορητή είναι χαμηλότερη από 70 dB(A).

7. Απόρριψη

Η απόρριψη εξαρτημάτων ή ολόκληρου του προϊόντος αυτού πρέπει να γίνεται σύμφωνα με τις ακόλουθες οδηγίες:

1. Χρησιμοποιείτε τα δημοτικά ή ιδιωτικά μέσα αποκομιδής απορριμάτων.
2. Στην περίπτωση που δεν υπάρχουν τα ανωτέρω μέσα, παρακαλούμε παραδώστε το προϊόν ή οποιοδήποτε επιβλαβές υλικό από αυτό στη GRUNDFOS ή στο πλησιέστερο εργαστήριο επισκευών.

INHOUD

	Pagina
1. Algemeen	44
2. Installatie	44
2.1 Elektrische aansluiting	44
2.1.1 Werkschakelaar	44
2.1.2 Bescherming tegen aanrakingsgevaar – indirecte aanraking	44
2.1.3 Aanvullende beveiliging	44
2.1.4 Motorbeveiliging	44
2.1.5 Overspanningsbeveiliging	44
2.1.6 Voedingsspanning	44
2.1.7 In- en uitschakelen van de pomp	45
2.2 Overige aansluitingen	45
2.3 Signaalkabels	45
3. Pomp besturing	45
3.1 Toerenregeling van de pomp	45
3.2 Aan/uit ingang	45
4. Signaallampjes en signaalrelais	46
5. Isolatie-test	46
6. Technische specificaties	47
6.1 Voedingsspanning	47
6.2 Lekstroom	47
6.3 Ingangen/uitgang	47
6.4 Overige technische specificaties	47
6.5 Geluidsdruk-niveau	47
7. Afvalverwerking	47



Alvorens met de installatie te beginnen, dient u deze installatie- en bedieningsinstructies en **de instructies voor de standaardpomp** zorgvuldig te bestuderen. De installatie en bediening dienen bovendien volgens de in Nederland/België geldende voorschriften en regels van goed vakmanschap plaats te vinden.

1. Algemeen

GRUNDFOS basic E-pompen zijn voorzien van frequentiegeregelde normmotoren.

De pomp bezit een aan/uit ingang voor een extern potentiaalvrij contact, een ingang voor een extern gewenste waarde signaal en een uitgang voor een potentiaalvrij signaal.

Het toerental van de pomp en dus de opbrengst van de pomp kan op afstand worden bestuurd door middel van een extern 0-10 V signaal of een potentiometer.

2. Installatie

Om een goede koeling van de motor en de elektronica te waarborgen, dienen de volgende maatregelen te worden genomen:

- Kies een plaats waar de pomp afdoende wordt gekoeld.
- De omgevingstemperatuur mag de 40°C niet overschrijden.
- De koelribben van de motor en de ventilatorbladen dienen van tijd tot tijd te worden gereinigd.

Zie verder de instructies van de standaard pomp.

2.1 Elektrische aansluiting

Opm.: De gebruiker of de installateur is verantwoordelijk voor het correct aansluiten van de aarding en de beveiliging overeenkomstig de nationale en lokale regelgeving. Alle aansluitwerkzaamheden dienen door gekwalificeerde elektromonteurs te worden uitgevoerd.



Maak geen aansluitingen in de klemmenkast, tenzij de voedingsspanning naar de pomp tenminste gedurende 5 minuten is uitgeschakeld.

2.1.1 Werkschakelaar

De pomp dient via een werkschakelaar aangesloten te worden waarvan de contactafstand minimaal 3 mm bedraagt overeenkomstig IEC 364 en waarbij alle polen, behalve de aardgeleider, worden geschakeld.

2.1.2 Bescherming tegen aanrakingsgevaar – indirecte aanraking



De pomp moet worden geaard en beveiligd tegen indirecte aanraking overeenkomstig de nationale regelgeving.

De geleiders voor de beschermingsaarde dienen geel/groen (PE) of geel/groen/blauw (PEN) gekleurd te zijn.

2.1.3 Aanvullende beveiliging

Indien de pomp op een elektrische installatie aangesloten is waarbij een aanvullende beveiliging in de vorm van een aardlekschakelaar is toegepast, dan dient deze aardlekschakelaar van de volgende symbolen te zijn voorzien:



Opm.: Indien een aardlekschakelaar wordt geselecteerd, dan dient er bij de selectie rekening te worden gehouden het totaal aan lekstromen van alle aangesloten apparatuur.

De lekstroom van de pomp staat weergegeven in hoofdstuk 6.2 *Lekstroom*.

2.1.4 Motorbeveiliging

De pomp heeft geen externe motorbeveiliging nodig. De motor is voorzien van een thermische beveiliging tegen langzaam toenemende overbelasting en blokkering (IEC 34-11: TP 211).

2.1.5 Overspanningsbeveiliging

De pomp is d.m.v. varistors, tussen de fase en nul en tussen fase en aarde, tegen overspanning beveiligd.

2.1.6 Voedingsspanning

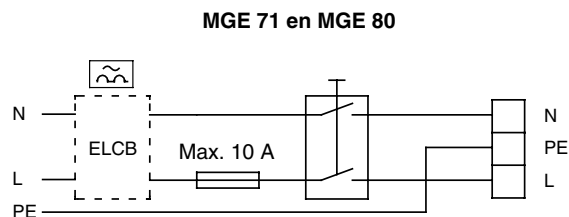
1 x 200-240 V ±10%, 50/60 Hz, PE.

De voedingsspanning en frequentie staan op de typeplaat van de pomp vermeld. Overtuig u ervan dat de motor geschikt is voor de voedingsspanning waarop deze wordt toegepast.

De aansluitdraden in de klemkast van de pomp dienen zo kort mogelijk te worden gehouden. Uitgezonderd de aardedraad, deze dient zo lang te zijn dat deze als laatste de verbinding verbreekt wanneer de kabel door onachtzaamheid uit de kabeldoorvoertel wordt getrokken.

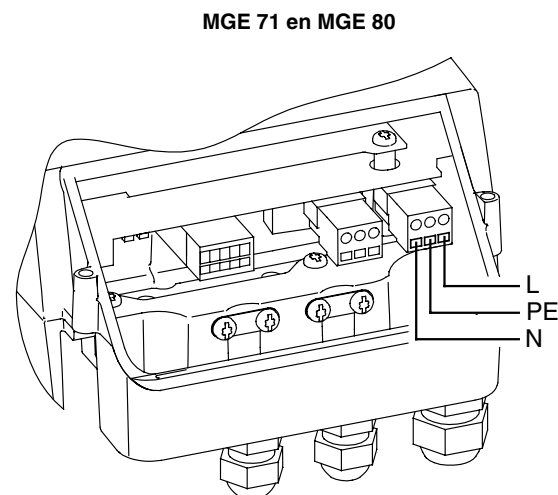
Afbeelding 1 geeft een voorbeeld weer van een aangesloten pomp compleet met een werkschakelaar, voorzekeringen en een aanvullende beveiliging.

Afb. 1



De actuele voedingsaansluiting wordt in afb. 2 weergegeven.

Afb. 2



2.1.7 In- en uitschakelen van de pomp

Het in- en uitschakelen van de pomp via de netvoeding mag niet meer dan 4x per uur bedragen.

Indien een hoger aantal in- en uitschakelingen gewenst wordt, dient hiervoor de externe aan/uit ingang te worden gebruikt.

Wanneer de pomp via de netvoeding wordt ingeschakeld, zal deze na ca. 5 sec. inschakelen.

2.2 Overige aansluitingen

De aansluiting van externe potentiaalvrije contact-ingangen voor aan/uit schakelen, externe gewenste waarde signaal en relais-signaal zijn weergegeven in afb. 3.

Opm.: Indien geen externe aan/uit schakelaar wordt aangesloten, dienen de klemmen 2 en 3 met elkaar te worden verbonden.

Opm.: Als voorzorgsmaatregel dienen de aders van de volgende groepen aansluitingen over hun gehele lengte door middel van dubbele isolatie te zijn gescheiden en in aparte kabels te zijn ondergebracht:

1. **Ingangen** (extern aan/uit en gewenste waarde signaal, klemmen 2 tot 6).

Alle ingangen (groep 1) zijn intern door dubbele isolatie en elektrisch gescheiden van de netspanning en overige circuits. Alle besturings-aansluitingen worden door een veilige lage spanning gevoed (PELV), hiermee wordt de aanrakingsveiligheid zeker gesteld.

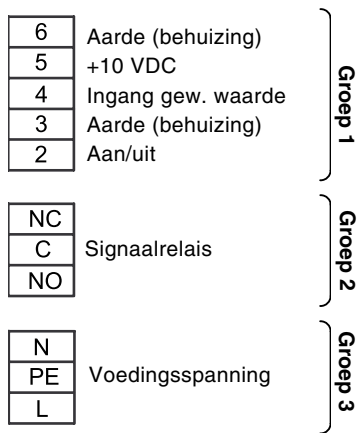
2. **Uitgang** (signaalrelais, klemmen NC, NO, C).

De uitgang (groep 2) zijn elektrisch gescheiden van de overige circuits. Daardoor kan naar wens de voedingsspanning of een veilige lage spanning op de uitgang worden aangesloten.

3. **Voedingsspanning** (klemmen L en N).

Een veilige elektrische scheiding moet aan de vereisten voor dubbele isolatie inclusief kruipafstanden en vrije ruimten zoals gespecificeerd is EN 50 178.

Afb. 3

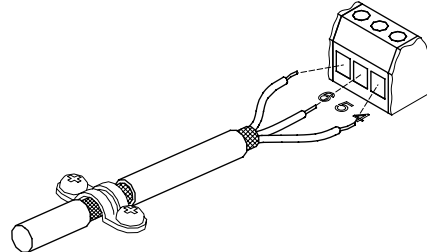


TM02 0793 0101

2.3 Signaalkabels

- Gebruik afgeschermd kabels met een minimale aderdoorsnede van 0,5 mm² en een maximale aderdoorsnede van 1,5 mm² voor de externe aan/uit schakelaar en het gewenste waarde signaal.
- De kabelafscherming dient aan beide uiteinden van de kabel met de behuizing verbonden te worden. De kabelafscherming moet op degelijke wijze aan de behuizing worden bevestigd en tot zo dicht mogelijk bij de klemmen te worden doorgevoerd, zie afb. 4.

Afb. 4



TM00 7667 1696

- De schroeven voor het bevestigen van de afscherming op de behuizing dienen altijd te worden vastgedraaid ongeacht of er wel of geen kabel aangesloten is.
- De aansluitdraden in de klemmenkast dienen zo kort mogelijk te worden gehouden.

3. Pomp besturing

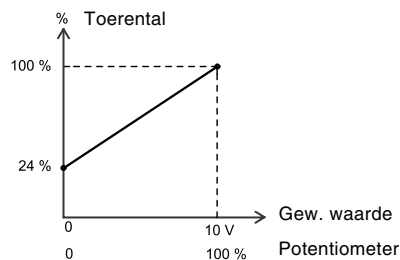
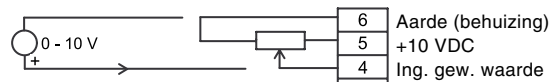
Op de pomp kunnen externe signalen aangesloten worden voor het op afstand verstellen van het pomptoerental.

3.1 Toerenregeling van de pomp

Het pomptoerental kan ingesteld worden via de gewenste waarde ingang, klem 4.

Het is mogelijk hiervoor een 0-10 V signaal of een potentiometer te gebruiken.

Afb. 5



TM02 0794 0101

Het pomptoerental kan tussen 24% en 100% worden ingesteld.

3.2 Aan/uit ingang

De pomp kan in- en uitgeschakeld worden doormiddel van een extern potentiaalvrij contact, welke op klem 2 en 3 wordt aangesloten.

Functieschema: Aan/uit ingang:

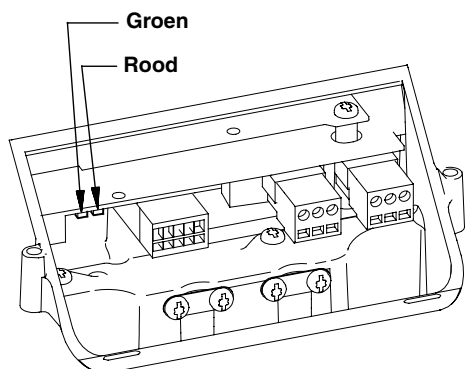
Aan/uit (klemmen 2 en 3)		
		Normaal bedrijf
		Uit



4. Signaallampjes en signaalrelais

De bedrijfsstatus van de pomp wordt weergegeven door groene en rode signaallampjes in de klemmenkast van de pomp, afb. 6.

Afb. 6



TM02 0838 0301

De pomp heeft via een intern relais een uitgang voor een potentiaalvrij signaal.

De onderstaande tabel toont een overzicht van de functies van de twee signaallampjes en van de signaaluitgang:

Signaallampjes		Signaalrelais	Omschrijving
Storing (rood)	Bedrijf (groen)		
Uit	Uit		De voedingsspanning is uitgeschakeld.
Uit	Constant aan		De pomp is in bedrijf.
Uit	Knippert		De pomp heeft een stopcommando gekregen.
Constant aan	Uit		De pomp is gestopt als gevolg van een storing. Een herstartpoging wordt ondernomen (het kan nodig zijn de storingsmelding handmatig te resetten).
Constant aan	Constant aan		De pomp is in bedrijf, maar is gestopt als gevolg van een storing.
Constant aan	Knippert		De pomp heeft een stopcommando gekregen, maar is gestopt als gevolg van een storing.

De volgende fouten zijn aanleiding tot een storingsmelding:

- Te hoge motortemperatuur
- Onderspanning
- Overspanning
- Te veel herstarts (na een storing)
- Overbelasting
- Droogloop
- Andere storing

Een storingsmelding kan op één van de volgende methoden worden gereset:

- Door kortstondig de verbinding tussen klem 2 en 3 te verbreken (schakelt de pomp uit).
- Door de voedingsspanning naar de pomp kortstondig uit te schakelen.

5. Isolatie-test

Opm.: Op een installatie waarin E-pompen zijn opgenomen, mag geen isolatietest worden uitgevoerd, aangezien hierdoor de ingebouwde elektronica kan worden beschadigd.

6. Technische specificaties

Zie het typeplaatje.

6.1 Voedingsspanning

Voedingsspanning naar de pomp

1 x 200-240 V \pm 10%, 50/60 Hz, PE.

Voorzekering

Max. 10 A.

Er kunnen standaard zekeringen, maar ook snelle of trage zekeringen worden toegepast.

6.2 Lekstroom

Aardlekstroom < 3,5 mA.

De lekstromen zijn gemeten overeenkomstig EN 60 355-1.

6.3 Ingangen/uitgang

Aan/uit

Externe potentiaalvrij contact.

Spanning: 5 VDC.

Stroom: < 5 mA.

Afgeschermd kabel.*

Gewenste waarde signalen

- Potentiometer
0-10 VDC, 10 k Ω (via interne voedingsspanning).
Afgeschermd kabel.*
Max. kabellengte: 100 m.
- Spanningssignaal
0-10 VDC, R_i > 50 k Ω .
Tolerantie: +0%/-3% bij max. spanningssignaal.
Afgeschermd kabel.*
Max. kabellengte: 500 m.

Signaaluitgang

Potentiaalvrij wisselcontact.

Max. contactbelasting: 250 VAC, 2 A.

Min. contactbelasting: 5 VDC, 1 mA.

Afgeschermd kabel: 0,5 - 2,5 mm².

Max. kabellengte: 500 m.

* Aderdoorsnede min. 0,5 mm² en max. 1,5 mm².

6.4 Overige technische specificaties

Elektromagnetische compatibiliteit (EMC)

EN 61 800-3.

De motor voldoet aan de eisen van EN 50 178.

Beschermingsklasse

Standaard: IP 55 (IEC 34-5).

Isolatieklasse

F (IEC 85).

Omgevingstemperatuur

Tijdens bedrijf: -20°C tot +40°C.

Tijdens opslag/transport: -40°C tot +60°C.

Relatieve luchtvochtigheid

Max. 95% (zonder condensatie).

6.5 Geluidsdruk niveau

Het geluidsdruk niveau van de pomp is lager dan 70 dB(A).

7. Afvalverwerking

Na gebruik van deze pomp of onderdelen dienen de volgende richtlijnen in acht genomen te worden.

1. Neem de overheids- en gemeentelijke richtlijnen voor afvalverwerking in acht.
2. Als de afvalverwerkende instanties ons product niet kunnen verwerken, dan kunt u ons product bij ons inleveren.

INNEHÅLL

	Sida
1. Allmänt	48
2. Installation	48
2.1 Elanslutning	48
2.1.1 Arbetsbrytare	48
2.1.2 Skydd mot elektrisk chock – indirekt beröring	48
2.1.3 Kompletterande/extra skydd	48
2.1.4 Motorskydd	48
2.1.5 Överspänningsskydd	48
2.1.6 Försörjningsspänning	48
2.1.7 Start/stopp av pump	49
2.2 Övrig anslutning	49
2.3 Signalkablar	49
3. Reglering av pump	49
3.1 Reglering av pumpens varvtal	49
3.2 Ingång för start/stopp	49
4. Signallampor och meddelanderelä	50
5. Isolationsmätning	50
6. Tekniska data	51
6.1 Nätspänning	51
6.2 Läckström	51
6.3 Ingångar/utgång	51
6.4 Övriga tekniska data	51
6.5 Ljudtrycksnivå	51
7. Destruktion	51



Läs noggrant igenom denna monterings- och driftsinstruktion innan installation av pumpen påbörjas. Dessutom skall standardpumpens bifogade monterings- och driftsinstruktion läsas igenom noggrant. Installation och drift skall i övrigt ske enligt lokala föreskrifter och gängse praxis.

1. Allmänt

GRUNDFOS E-pumpar i basutförande är pumpar utrustade med normmotorer med inbyggd frekvensomformare.

Pumpen är försedd med ingångar för externa potentialfria kontakter för start/stopp och externt börvärde. Pumpen är dessutom försedd med en utgång för potentialfri klarmeddelandesignal.

Pumpens varvtal och därmed dess kapacitet kan fjärrstyras med hjälp av en extern 0-10 V signal eller en potentiometer.

2. Installation

För att säkerställa kylning av motor och elektronik skall följande iakttas:

- Pumpen skall placeras så att den kyls tillräckligt.
- Kylluftens temperatur får inte överstiga 40°C.
- Kylflänsar och fläkthjul skall hållas rena.

Se bifogade monterings- och driftsinstruktion för standardpump beträffande installation i övrigt.

2.1 Elanslutning

OBS: Det är användarens eller el-installatörens ansvar att säkra att korrekt jordning och skydd utförts enligt gällande nationella och lokala föreskrifter. Alla åtgärder skall utföras av behörig personal.



Före varje ingrepp i pumpmotorns kopplingsbox skall nätspänningen ha varit bruten i minst 5 minuter.

2.1.1 Arbetsbrytare

Pumpen skall anslutas till en extern 2-polig arbetsbrytare med ett kontaktavstånd på min. 3 mm i alla poler enligt IEC 364.

2.1.2 Skydd mot elektrisk chock – indirekt beröring

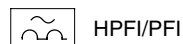


Pumpen skall anslutas till jord och skyddas mot indirekt beröring enligt nationella bestämmelser.

Skyddsledare skall alltid ha gul/grön (PE) eller gul/grön/blå (PEN) färgmärkning.

2.1.3 Kompletterande/extra skydd

Om pumpen ansluts till en elektrisk installation där jordfelsbrytare används som extra skydd, skall denna vara märkt med följande symbol:



HPFI/PFI

OBS: Vid val av jordfelsbrytare skall man vara uppmärksam på den totala läckströmmen för den elektriska utrustningen i anläggningen.

Läckström för pumpen framgår av avsnitt 6.2 Läckström.

2.1.4 Motorskydd

Pumpen kräver inget externt motorskydd. Motorn är internt termiskt skyddad mot både långsam överbelastning och blockering (IEC 34-11: TP 211).

2.1.5 Överspänningsskydd

Pumpen är överspänningsskyddad med hjälp av inbyggda varistorer mellan fas och nolla samt fas och jord.

2.1.6 Försörjningsspänning

1 x 220-240 V ±10%, 50/60 Hz, PE.

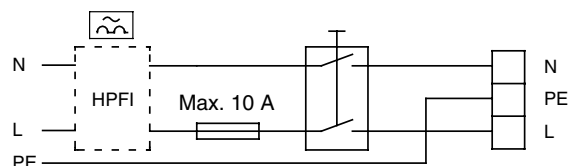
Kontrollera att försörjningsspänning och frekvens motsvarar på typskylten angivna värden.

Ledningarna i pumpens kopplingsbox skall alltid vara så korta som möjligt. Undantagen är jordledningen, som skall vara så lång, att det är den sista ledaren som lossnar om ledningarna oavsiktligt rycks ut ur förskruvningen.

I fig. 1 visas ett exempel på nätanslutning av en pump med arbetsbrytare, försäkringar och kompletterande/extra skydd.

Fig. 1

MGE 71 och MGE 80

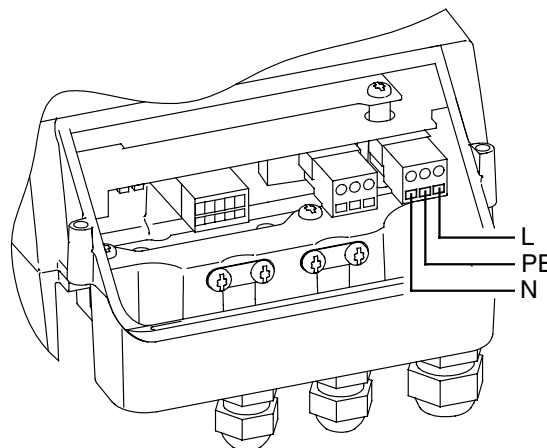


TM02 0792 0101

Aktuell nätanslutning visas i fig. 2.

Fig. 2

MGE 71 och MGE 80



TM02 1234 0701

2.1.7 Start/stopp av pump

Start och stopp av pumpen via nätspänningen får göras max. 4 gånger per timme.

Om ett större antal start/stopp önskas, skall ingången för externt start/stopp användas för att starta/stoppa pumpen.

När nätspänningen slås till kommer det att dröja ca. 5 sek. innan pumpen startar.

2.2 Övrig anslutning

Anslutningsplintar till externa potentialfria kontakter för start/stopp, extern börvärdessignal och meddelandesignal framgår av fig. 3.

OBS: Om ingen extern start/stopp-brytare ansluts, skall plint 2 och 3 förbindas med en kort ledning.

OBS: Av säkerhetsskäl skall ledningar till följande anslutningsgrupper vara i hela sin längd utförda med förstärkt isolering i förhållande till övriga grupper:

1. **Ingångar** (externt start/stopp och börvärdessignal, plintarna 2 till 6).

Samtliga ingångar (grupp 1) är, internt i pumpen, skilda från spänningsförande delar med förstärkt isolering samt galvaniskt skilda från andra kretsar.

Elförsörjningen till samtliga styrplintar är extra låg spänning (PELV) varvid skydd mot elektriska stötar säkras.

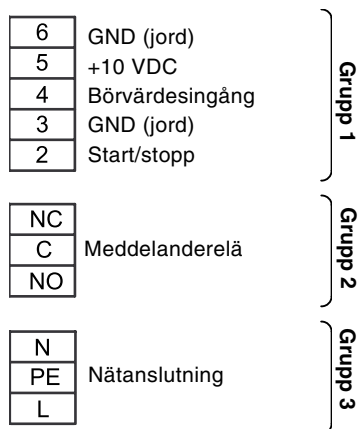
2. **Utgång** (meddelanderelä, plintarna NC, NO, C).

Utgången (grupp 2) är galvaniskt skild från andra kretsar. Därför kan nätspänning eller extra låg spänning valfritt väljas för anslutning till utgången.

3. **Försörjningsspänning** (plintarna L och N).

Den galvaniskt säkra åtskillnaden uppnås genom att uppfylla kraven på förstärkt isolering med tillhörande kryp- och luftavstånd enligt EN 50 178.

Fig. 3

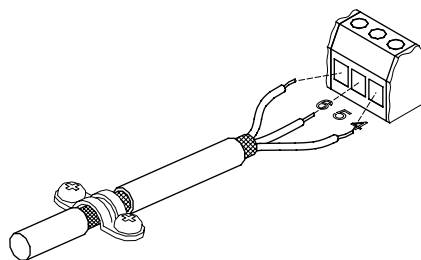


TM02 0793 0101

2.3 Signalkablar

- Kablar till extern start/stopp-brytare och börvärdessignal skall vara skärmade och ha en kabelarea på min. 0,5 mm² och max. 1,5 mm².
- Kablarnas skärm skall anslutas till jord med god anslutning. Skärmen skall föras fram så nära anslutningsplintarna som möjligt, se fig. 4.

Fig. 4



TM00 7667 1696

- Jordanslutningens skruvar skall alltid vara åtdragna, oavsett om en ledning är monterad eller ej.
- Ledningarna i pumpens kopplingsbox skall alltid vara så korta som möjligt.

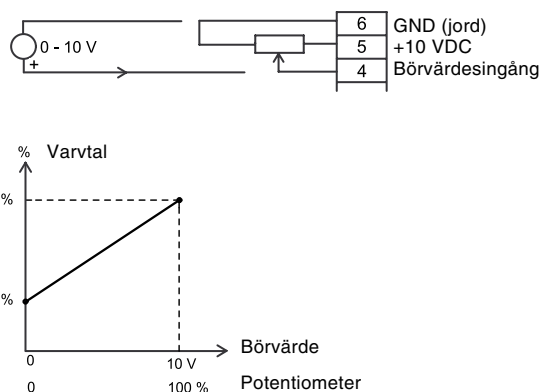
3. Reglering av pump

Externa signaler kan anslutas till pumpen för fjärrstyrning av pumpens varvtal.

3.1 Reglering av pumpens varvtal

Pumpens varvtal kan ställas in via börvärdessingången, plint 4. Potentiometer eller en 0-10 V signal kan användas.

Fig. 5



TM02 0794 0101

Pumpens varvtal kan ställas in i området från 24% till 100%.

3.2 Ingång för start/stopp

Pumpen kan startas och stoppas via en extern potentialfri kontakt, som är ansluten till plintarna 2 och 3.

Funktionsdiagram: Ingång för start/stopp:

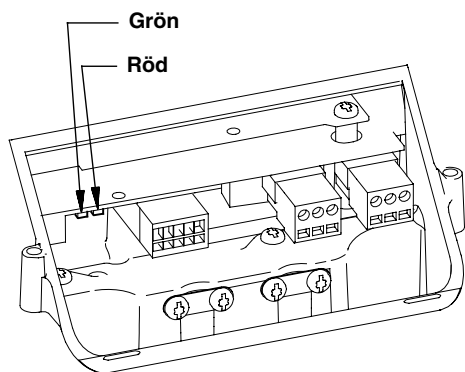
Start/stopp (plint 2 och 3)		
		Normal drift
		Stopp



4. Signallampor och meddelanderelä

Pumpens driftstillstånd kan avläsas på en grön och en röd signal-lampa i pumphotorns kopplingsbox, fig. 6.

Fig. 6



TM02 0838 0301

Pumpen har en utgång för en potentialfri signal via ett internt relä. Funktionen hos de båda signallamporna och meddelandereläet framgår av följande tabell:

Signallampor		Meddelandereläets kontaktposition	Beskrivning
Fel (röd)	Drift (grön)		
Lyser inte	Lyser inte		Nätspänningen är bruten.
Lyser inte	Lyser konstant		Pumpen är i drift.
Lyser inte	Blinkar		Pumpen är inställd på stopp.
Lyser konstant	Lyser inte		Pumpen har stoppat på grund av fel och kommer att försöka återstarta (pumpen skall ev. återstartas manuellt genom återställning av felmeddelandet).
Lyser konstant	Lyser konstant		Pumpen är i drift, men har varit stoppad på grund av ett fel.
Lyser konstant	Blinkar		Pumpen är inställd på stopp, men har varit stoppad på grund av fel.

Vid felmeddelande kan orsaken vara följande:

- För hög motortemperatur
- Underspänning
- Överspänning
- För många återstarter (efter fel)
- Överbelastning
- Torrkörning
- Annat fel

Ett felmeddelande kan återställas på följande sätt:

- Bryt kortvarigt förbindelsen mellan plint 2 och 3 (stoppa pumpen).
- Bryt kortvarigt nätspänningen till pumpen.

5. Isolationsmätning

OBS: Isolationsmätning får inte förekomma på installationer, där E-pumpar finns anslutna, eftersom den inbyggda elektroniken därvid kan ta skada.

6. Tekniska data

Se typskylt.

6.1 Nätspänning

Nätspänning till pump

1 x 200-240 V \pm 10%, 50/60 Hz, PE.

Försäkring

Max. 10 A.

Försäkringen kan antingen vara en standardsäkring, en trög säkring eller en snabb säkring.

6.2 Läckström

Läckström till jord < 3,5 mA.

Läckströmmarna är uppmätta enligt EN 60 355-1.

6.3 Ingångar/utgång

Start/stopp

Extern potentialfri kontakt.

Spänning: 5 VDC.

Ström: < 5 mA.

Skärmd kabel.*

Börvärdessignaler

- Potentiometer
0-10 VDC, 10 k Ω (via intern spänningsförsörjning).
Skärmd kabel.*
Max. kabellängd: 100 m.
- Spänningssignal
0-10 VDC, R_i > 50 k Ω .
Tolerans: +0%/-3% vid max. spänningssignal.
Skärmd kabel.*
Max. kabellängd: 500 m.

Meddelandeutgång

Potentialfri växlande kontakt.

Max. kontaktbelastning: 250 VAC, 2 A.

Min. kontaktbelastning: 5 VDC, 1 mA.

Skärmd kabel: 0,5 - 2,5 mm².

Max. kabellängd: 500 m.

* Ledararea min. 0,5 mm² och max. 1,5 mm².

6.4 Övriga tekniska data

EMC (elektromagnetisk kompatibilitet)

EN 61 800-3.

Motorn följer normen EN 50 178.

Kapslingsklass

Standard: IP 55 (IEC 34-5).

Isolationsklass

F (IEC 85).

Omgivningstemperatur

Drift: -20°C till 40°C.

Lagring/transport: -40°C till 60°C.

Relativ luftfuktighet

Max. 95%.

6.5 Ljudtrycksnivå

Pumpens ljudtrycksnivå är mindre än 70 dB(A).

7. Destruktion

Destruktion av denna produkt eller delar härav skall ske enligt följande riktlinjer:

1. Använd lokalt gällande offentliga eller privata förordningar eller regler för destruktion.
2. Om sådana förordningar eller föreskrifter saknas eller att material som ingår i produkten inte emottages, kan produkten eller därifrån eventuella miljöfarliga material lämnas till närmaste GRUNDFOS-bolag.

INDHOLDSFORTEGNELSE

	Side
1. Generelt	52
2. Installation	52
2.1 El-tilslutning	52
2.1.1 Netspændingsafbryder	52
2.1.2 Beskyttelse mod elektrisk chok – indirekte berøring	52
2.1.3 Supplerende/ekstra beskyttelse	52
2.1.4 Motorbeskyttelse	52
2.1.5 Overspændingsbeskyttelse	52
2.1.6 Forsyningsspænding	52
2.1.7 Start/stop af pumpe	53
2.2 Øvrig tilslutning	53
2.3 Signalkabler	53
3. Styling af pumpe	53
3.1 Styling af pumpens omdrejningstal	53
3.2 Indgang for start/stop	53
4. Signallamper og melderelæ	54
5. Megning	54
6. Tekniske data	55
6.1 Forsyningsspænding	55
6.2 Lækstrøm	55
6.3 Indgange/udgang	55
6.4 Øvrige tekniske data	55
7. Bortskaffelse	55



Før installation af pumpen påbegyndes, skal denne monterings- og driftsinstruktion læses grundigt. **Desuden skal den vedlagte monterings- og driftsinstruktion for standardpumpen læses grundigt.** Installation og drift skal i øvrigt ske i henhold til lokale forskrifter og gængs praksis.

1. Generelt

GRUNDFOS E-pumper i basisudførelse er pumper med normmotorer med indbygget frekvensomformer.

Pumpen er forsynet med indgange for eksterne potentialfrie kontakter til start/stop og et eksternt sætpunktssignal. Pumpen har desuden en udgang for et potentialfrit meldesignal.

Pumpens omdrejningstal og dermed dens pumpeydelse kan fjernstyres ved hjælp af et eksternt 0-10 V signal eller et potentiometer.

2. Installation

For at sikre tilstrækkelig køling af motor og elektronik skal følgende overholdes:

- Pumpen skal placeres således, at den køles tilstrækkeligt.
- Køleluftens temperatur må ikke overstige 40°C.
- Køleribber og ventilatorvinge skal holdes rene.

For øvrig installation, se den vedlagte monterings- og driftsinstruktion for standardpumpen.

2.1 El-tilslutning

Bemærk: Det er brugerens eller el-installatørens ansvar at sikre korrekt jording og beskyttelse efter gældende nationale og lokale standarder. Alle operationer skal udføres af behørigt uddannet personale.



Før ethvert indgreb i pumpens klemkasse skal forsyningsspændingen være afbrudt i mindst 5 min.

2.1.1 Netspændingsafbryder

Pumpen skal tilsluttes en eksternt 2-polet afbryder med min. 3 mm brydeafstand i alle poler i henhold til IEC 364.

2.1.2 Beskyttelse mod elektrisk chok – indirekte berøring



Pumpen skal forbindes til jord og beskyttes mod indirekte berøring i henhold til nationale bestemmelser.

Beskyttelsesledere skal altid have gul/grøn (PE) eller gul/grøn/blå (PEN) farvemærkning.

2.1.3 Supplerende/ekstra beskyttelse

Hvis pumpen tilsluttes en elektrisk installation, hvor der anvendes fejlstrømsafbryder som ekstrabeskyttelse, skal denne være mærket med følgende symbol:



Bemærk: Ved valg af fejlstrømsafbryder skal man være opmærksom på den samlede lækstrøm for det elektriske udstyr i installationen.

Lækstrøm for pumpen fremgår af afsnit 6.2 *Lækstrøm*.

2.1.4 Motorbeskyttelse

Pumpen kræver ikke ekstern motorbeskyttelse. Motoren er internt termisk beskyttet mod både langsom overbelastning og blokering (IEC 34-11: TP 211).

2.1.5 Overspændingsbeskyttelse

Pumpen er overspændingsbeskyttet ved hjælp af indbyggede varistorer mellem fase-nul og fase-jord.

2.1.6 Forsyningsspænding

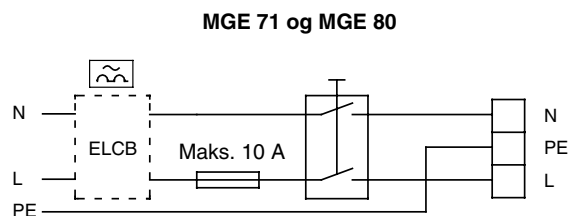
1 x 200-240 V ±10%, 50/60 Hz, PE.

Kontrollér, at forsyningsspænding og forsyningsfrekvens svarer til de på typeskiltet angivne værdier.

Ledningerne i pumpens klemkasse skal altid være så korte som muligt. Undtaget er dog jordledningen, der skal være så lang, at det er den sidste ledning, der slipper, hvis kablet utilsigtet rykkes ud af forskruringen.

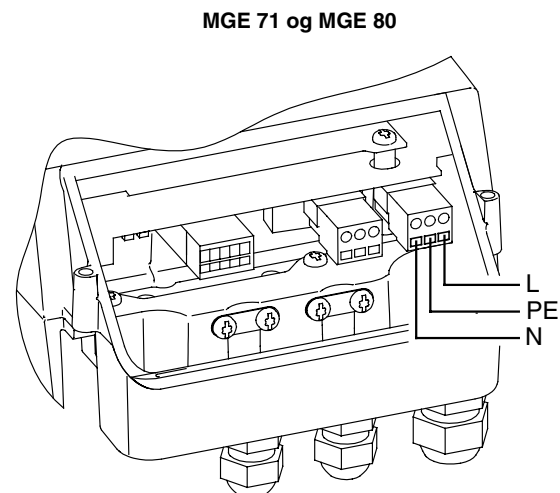
I fig. 1 er vist et eksempel på nettilslutning af en pumpe med netspændingsafbryder, forsikringer og supplerende/ekstra beskyttelse.

Fig. 1



Aktuel nettilslutning er vist i fig. 2.

Fig. 2



2.1.7 Start/stop af pumpe

Start/stop af pumpen via netspændingen må foretages maks. 4 gange pr. time.

Ønskes et større antal start/stop, skal indgangen for ekstern start/stop anvendes ved start/stop af pumpen.

Ved netindkobling vil der gå ca. 5 sek., inden pumpen starter.

2.2 Øvrig tilslutning

Tilslutningsklemmer til eksterne potentialfrie kontakter til start/stop, eksternt sætpunktssignal og meldesignal fremgår af fig. 3.

Bemærk: Hvis der ikke tilsluttes en ekstern start/stop-afbryder, skal klemme 2 og 3 kortsluttes med en kort ledning.

Bemærk: Af sikkerhedsgrunde skal ledninger til følgende tilslutningsgrupper i hele deres længde være forsynet med forstærket isolering i forhold til de øvrige grupper:

1. **Indgange** (ekstern start/stop og sætpunktssignal, klemme 2 til 6).

Samtlige indgange (gruppe 1) er, internt i pumpen, adskilt fra netførende dele med en forstærket isolering samt galvanisk adskilt fra andre kredsløb.

Den elektriske forsyning til samtlige styreklemmer er ekstra lav spænding (PELV), hvorved beskyttelse mod elektrisk stød er sikret.

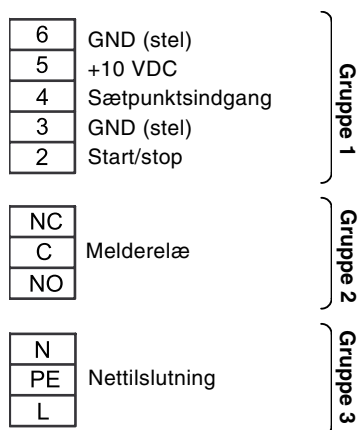
2. **Udgang** (melderelæ, klemme NC, NO, C).

Udgangen (gruppe 2) er galvanisk adskilt fra andre kredsløb. Derfor kan der valgfrit tilsluttes netspænding eller lavspænding til udgangen.

3. **Forsyningsspænding** (L og N).

Den galvanisk sikre adskillelse opnås ved at opfylde kravene til forstærket isolering med tilhørende krybe-/luftafstande i henhold til EN 50 178.

Fig. 3

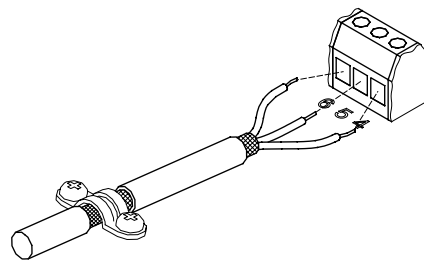


TM02 0793 0101

2.3 Signalkabler

- Kabler til ekstern start/stop-afbryder og sætpunktssignal skal være skærmet og have et ledertværsnit på min. 0,5 mm² og maks. 1,5 mm².
- Kablernes skærm skal forbindes til stel i begge ender med god stelforbindelse, og skærmen skal føres så tæt på tilslutningsklemmerne som muligt, fig. 4.

Fig. 4



TM00 7667 1696

- Stelforbindelsernes skruer skal altid være fastspændte, uanset om der er monteret kabel eller ej.
- Ledningerne i pumpens klemkasse skal altid være så korte som muligt.

3. Styring af pumpe

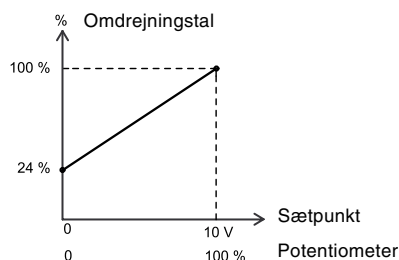
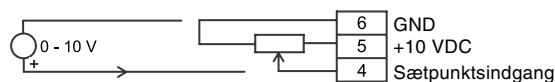
Pumpen kan tilsluttes eksterne signaler til fjernstyring af pumpens ydelse.

3.1 Styring af pumpens omdrejningstal

Pumpens omdrejningstal kan indstilles via sætpunktsindgangen, klemme 4.

Der kan anvendes enten et 0-10 V signal eller et potentiometer.

Fig. 5



TM02 0794 0101

Pumpens omdrejningstal kan indstilles i området 24% til 100%.

3.2 Indgang for start/stop

Pumpen kan startes og stoppes via en ekstern potentialfri kontakt, som er tilsluttet klemme 2 og 3.

Funktionsdiagram: Indgang for start/stop:

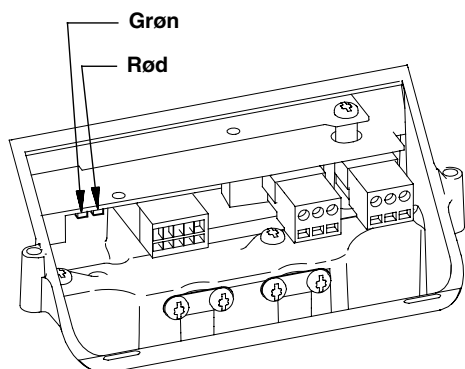
Start/stop (klemme 2 og 3)		
		Normal drift
		Stop



4. Signallamper og melderelæ

Pumpens driftstilstand kan aflæses via en grøn og rød signallampe i pumpens klemkasse, fig. 6.

Fig. 6



TM02 0838 0301

Pumpen har en udgang for et potentialfrit signal via et internt relæ.

Funktionen af de to signallamper og melderelæet fremgår af følgende tabel:

Signallamper		Melderelæets kontaktposition	Beskrivelse
Fejl (rød)	Drift (grøn)		
Lyser ikke	Lyser ikke		Forsyningsspændingen er afbrudt.
Lyser ikke	Lyser konstant		Pumpen er i drift.
Lyser ikke	Blinker		Pumpen er indstillet til stop.
Lyser konstant	Lyser ikke		Pumpen er stoppet på grund af fejl og vil forsøge at genstarte (pumpen skal evt. genstartes ved at afstille fejlmeldingen).
Lyser konstant	Lyser konstant		Pumpen er i drift, men har været stoppet på grund af fejl.
Lyser konstant	Blinker		Pumpen er indstillet til stop, men har været stoppet på grund af fejl.

Ved fejlmelding kan årsagen være følgende:

- For høj motortemperatur
- Underspænding
- Overspænding
- For mange genstarter (efter fejl)
- Overlast
- Tørløb
- Anden fejl

En fejlmelding kan afstilles på én af følgende måder:

- Åbn kortvarigt forbindelsen mellem klemme 2 og 3 (stopper pumpen).
- Afbryd kortvarigt forsyningsspændingen til pumpen.

5. Megning

Bemærk: Der må ikke foretages megningsarbejde på en installation, hvor der er tilsluttet E-pumper, da den indbyggede elektronik derved kan blive beskadiget.

6. Tekniske data

Se typeskilte.

6.1 Forsyningsspænding

Forsyningsspænding til pumpe

1 x 200-240 V \pm 10%, 50/60 Hz, PE.

Forsikring

Maks. 10 A.

Forsikringen kan enten være en standardsikring, en træg sikring eller en hurtigvirkende sikring.

6.2 Lækstrøm

Lækstrøm til jord < 3,5 mA.

Lækstrømmene er optaget i henhold til EN 60 355-1.

6.3 Indgange/udgang

Start/stop

Ekstern potentialfri afbryder.

Spænding: 5 VDC.

Strøm: < 5 mA.

Skærmet kabel.*

Sætpunktssignaler

- Potentiometer
0-10 VDC, 10 k Ω (via intern spændingsforsyning).
Skærmet kabel.*
Maks. kabellængde: 100 m.
- Spændingssignal
0-10 VDC, R_i > 50 k Ω .
Tolerance: +0%/-3% ved maks. spændingssignal.
Skærmet kabel.*
Maks. kabellængde: 500 m.

Meldeudgang

Potentialfri skiftekontakt.

Maks. kontaktbelastning: 250 VAC, 2 A.

Min. kontaktbelastning: 5 VDC, 1 mA.

Skærmet kabel: 0,5 - 2,5 mm².

Maks. kabellængde: 500 m.

* Tværsnit min. 0,5 mm² og maks. 1,5 mm².

6.4 Øvrige tekniske data

EMC (elektromagnetisk kompatibilitet)

EN 61 800-3.

Motoren overholder EN 50 178.

Kapslingsklasse

Standard: IP 55 (IEC 34-5).

Isolationsklasse

F (IEC 85).

Omgivelsestemperatur

Drift: -20°C til +40°C.

Lagring/transport: -40°C til +60°C.

Relativ luftfugtighed

Maks. 95%.

6.5 Lydtryksniveau

Pumpens lydtryksniveau er lavere end 70 dB(A).

7. Bortskaffelse

Bortskaffelse af dette produkt eller dele deraf skal ske i henhold til følgende retningslinier:

1. Anvend de lokalt gældende offentlige eller godkendte private renovationsordninger*.
2. Såfremt sådanne ordninger ikke findes eller ikke modtager de i produktet anvendte materialer, kan produktet afleveres til nærmeste GRUNDFOS-selskab eller -serviceværksted.

* I Danmark skal bortskaffelsen ske i overensstemmelse med bekendtgørelse 1067 af 22.12.98.

Denmark

GRUNDFOS DK A/S
Poul Due Jensens Vej 7A
DK-8850 Bjerringbro
Tlf.: +45-87 50 50 50
Telefax: +45-87 50 51 51

Argentina

Bombas GRUNDFOS de Argentina S.A.
Ruta Panamericana km. 37.500 Lote 34A
1619 - Garin
Pcia. de Buenos Aires
Phone: +54-3327 414 444
Telefax: +54-3327 411 111

Australia

GRUNDFOS Pumps Pty. Ltd.
P.O. Box 2040
Regency Park
South Australia 5942
Phone: +61-8-8461-4611
Telefax: +61-8-8340 0155

Austria

GRUNDFOS Pumpen Vertrieb Ges.m.b.H.
Grundfosstraße 2
A-5082 Grödig/Salzburg
Tel.: +43-6246-883-0
Telefax: +43-6246-883-30

Belgium

N.V. GRUNDFOS Bellux S.A.
Boomssesteenweg 81-83
B-2630 Aartselaar
Tél.: +32-3-870 7300
Télécopie: +32-3-870 7301

Brazil

GRUNDFOS do Brasil Ltda.
Rua Tomazina 106
CEP 83325 - 040
Pinhais - PR
Phone: +55-41 668 3555
Telefax: +55-41 668 3554

Canada

GRUNDFOS Canada Inc.
2941 Brighton Road
Oakville, Ontario
L6H 6C9
Phone: +1-905 829 9533
Telefax: +1-905 829 9512

China

GRUNDFOS Pumps (Shanghai) Co. Ltd.
22 Floor, Xin Hua Lian Building
755-775 Huai Hai Rd, (M)
Shanghai 200020
PRC
Phone: +86-512-67 61 11 80
Telefax: +86-512-67 61 81 67

Czech Republic

GRUNDFOS s.r.o.
Cajkovského 21
779 00 Olomouc
Phone: +420-68-5716 111
Telefax: +420-68-543 8908

Finland

OY GRUNDFOS Pumput AB
Mestarintie 11
Piispankylä
FIN-01730 Vantaa (Helsinki)
Phone: +358-9 878 9150
Telefax: +358-9 878 91550

France

Pompes GRUNDFOS Distribution S.A.
Parc d'Activités de Chesnes
57, rue de Malacombe
F-38290 St. Quentin Fallavier (Lyon)
Tél.: +33-4 74 82 15 15
Télécopie: +33-4 74 94 10 51

Germany

GRUNDFOS GMBH
Schlüterstr. 33
40699 Erkrath
Tel.: +49-(0) 211 929 69-0
Telefax: +49-(0) 211 929 69-3799
e-mail: infoservice@grundfos.de
Service in Deutschland:
e-mail: kundendienst@grundfos.de

Greece

GRUNDFOS Hellas A.E.B.E.
20th km. Athinon-Markopoulou Av.
P.O. Box 71
GR-19002 Peania
Phone: +30-10-66 83 400
Telefax: +30-10-66 46 273

Hong Kong

GRUNDFOS Pumps (Hong Kong) Ltd.
Unit 1, Ground floor
Siu Wai Industrial Centre
29-33 Wing Hong Street &
68 King Lam Street, Cheung Sha Wan
Kowloon
Phone: +852-27861706/27861741
Telefax: +852-27858664

Hungary

GRUNDFOS Hungária Kft.
Park u. 8
H-2045 Törökbalint,
Phone: +36-34 520 100
Telefax: +36-34 520 200

India

GRUNDFOS Pumps India Private Limited
Flat A, Ground Floor
61/62 Chamiers Aptmt
Chamiers Road
Chennai 600 028
Phone: +91-44 432 3487
Telefax: +91-44 432 3489

Indonesia

PT GRUNDFOS Pompa
Jl. Rawa Sumur III, Blok III / CC-1
Kawasan Industri, Pulogadung
Jakarta 13930
Phone: +62-21-460 6909
Telefax: +62-21-460 6910/460 6901

Ireland

GRUNDFOS (Ireland) Ltd.
Unit 34, Stillorgan Industrial Park
Blackrock
County Dublin
Phone: +353-1-2954926
Telefax: +353-1-2954739

Italy

GRUNDFOS Pompe Italia S.r.l.
Via Gran Sasso 4
I-20060 Truccazzano (Milano)
Tel.: +39-02-95838112
Telefax: +39-02-95309290/95838461

Japan

GRUNDFOS Pumps K.K.
1-2-3, Shin Miyakoda
Hamamatsu City
Shizuoka pref. 431-21
Phone: +81-53-428 4760
Telefax: +81-53-484 1014

Korea

GRUNDFOS Pumps Korea Ltd.
2nd Fl., Dong Shin Building
994-3 Daechi-dong, Kangnam-Ku
Seoul 135-280
Phone: +82-2-5317 600
Telefax: +82-2-5633 725

Malaysia

GRUNDFOS Pumps Sdn. Bhd.
7 Jalan Peguam U1/25
Glenmarie Industrial Park
40150 Shah Alam
Selangor
Phone: +60-3-5569 2922
Telefax: +60-3-5569 2866

Mexico

Bombas GRUNDFOS de Mexico S.A. de C.V.
Boulevard TLC No. 15
Parque Industrial Stiva Aeropuerto
Apodaca, N.L. 66600
Mexico
Phone: +52-81-8144 4000
Telefax: +52-81-8144 4010

Netherlands

GRUNDFOS Nederland B.V.
Postbus 104
NL-1380 AC Weesp
Tel.: +31-294-492 211
Telefax: +31-294-492244/492299

New Zealand

GRUNDFOS Pumps NZ Ltd.
17 Beatrice Tinsley Crescent
North Harbour Industrial Estate
Albany, Auckland
Phone: +64-9-415 3240
Telefax: +64-9-415 3250

Norway

GRUNDFOS Pumper A/S
Strømsveien 344
Postboks 235, Leirdal
N-1011 Oslo
Tlf.: +47-22 90 47 00
Telefax: +47-22 32 21 50

Poland

GRUNDFOS Pompy Sp. z o.o.
ul. Klonowa 23
Baranowo k. Poznania
PL-62-081 Przemierowo
Phone: +48-61-650 13 00
Telefax: +48-61-650 13 50

Portugal

Bombas GRUNDFOS Portugal, S.A.
Rua Calvet de Magalhães, 241
Apartado 1079
P-2780 Paço de Arcos
Tel.: +351-21-440 76 00
Telefax: +351-21-440 76 90

Russia

OOO GRUNDFOS
Shkolnaya 39
RUS-109544 Moscow
Phone: +7-095 564 88 00, +7-095 737 30 00
Telefax: +7-095 564 88 11, +7-095 737 75 36
e-mail: grundfos.moscow@grundfos.com

Singapore

GRUNDFOS (Singapore) Pte. Ltd.
24 Tuas West Road
Jurong Town
Singapore 638381
Phone: +65-6865 1222
Telefax: +65-6861 8402

Spain

Bombas GRUNDFOS España S.A.
Camino de la Fuentequilla, s/n
E-28110 Algete (Madrid)
Tel.: +34-91-848 8800
Telefax: +34-91-628 0465

Sweden

GRUNDFOS AB
Box 63, Angeredsvinkel 9
S-424 22 Angered
Tel.: +46-771-32 23 00
Telefax: +46-31 331 94 60

Switzerland

GRUNDFOS Pumpen AG
Bruggacherstrasse 10
CH-8117 Fällanden/ZH
Tel.: +41-1-806 8111
Telefax: +41-1-806 8115

Taiwan

GRUNDFOS Pumps (Taiwan) Ltd.
14, Min-Yu Road
Tunglo Industrial Park
Tunglo, Miao-Li County
Taiwan, R.O.C.
Phone: +886-37-98 05 57
Telefax: +886-37-98 05 70

Thailand

GRUNDFOS (Thailand) Ltd.
947/168 Moo 12, Bangna-Trad Rd., K.M. 3,
Bangna, Phrakonong
Bangkok 10260
Phone: +66-2-744 1785 ... 91
Telefax: +66-2-744 1775 ... 6

Turkey

GRUNDFOS POMPA SAN. ve TIC. LTD. STI
Bulgurlu Caddesi no. 32
TR-81190 Üsküdar Istanbul
Phone: +90 - 216-4280 306
Telefax: +90 - 216-3279 988

United Arab Emirates

GRUNDFOS Gulf Distribution
P.O. Box 16768
Jebel Ali Free Zone
Dubai
Phone: +971-4- 8815 166
Telefax: +971-4-8815 136

United Kingdom

GRUNDFOS Pumps Ltd.
Grovebury Road
Leighton Buzzard/Beds. LU7 8TL
Phone: +44-1525-850000
Telefax: +44-1525-850011

U.S.A.

GRUNDFOS Pumps Corporation
17100 West 118th Terrace
Olathe, Kansas 66061
Phone: +1-913-227-3400
Telefax: +1-913-227-3500

96 46 42 69 0802	132
Repl. 96 46 42 69 0401	