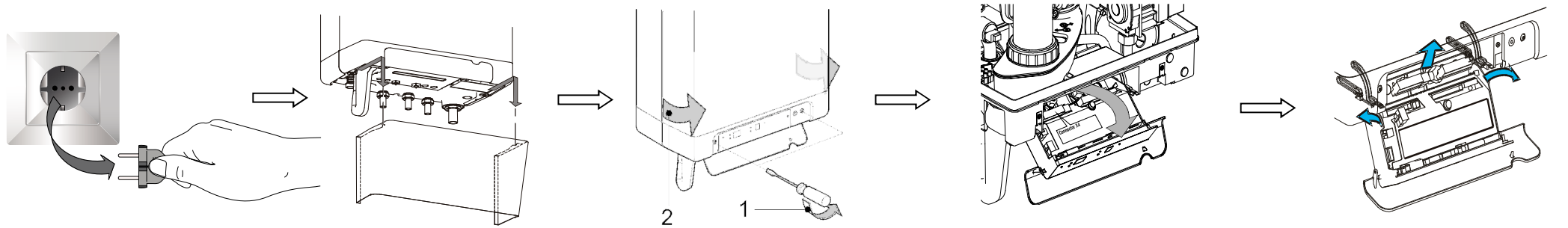
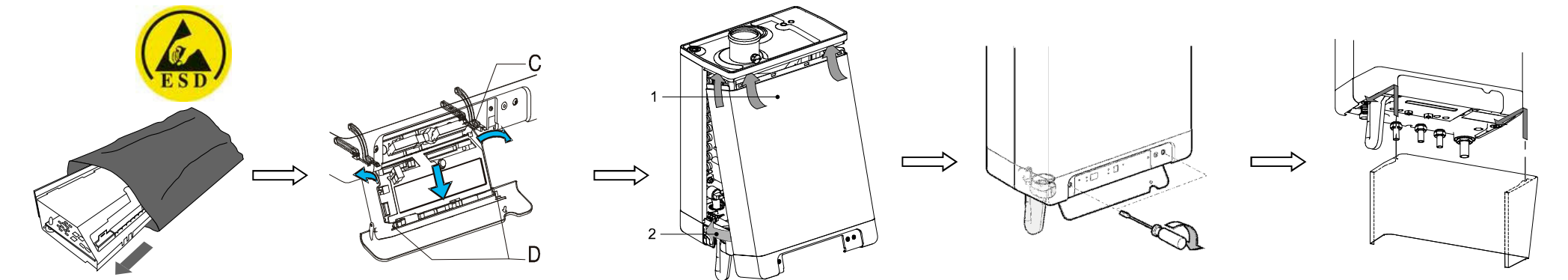


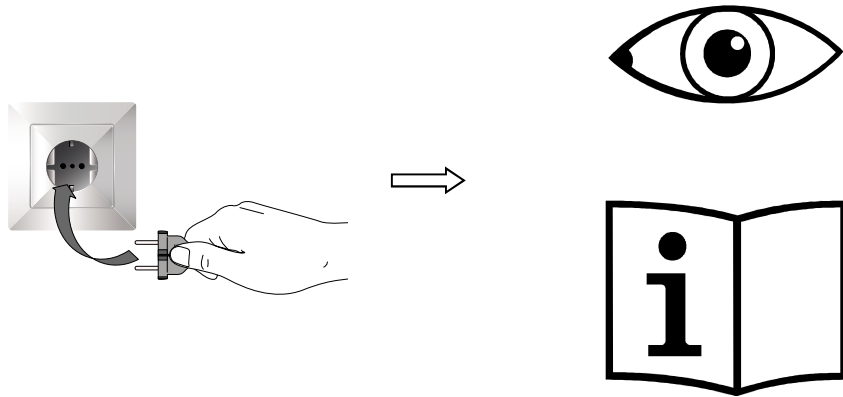
Mounting instruction / Montageanleitung / Instruction de montage / Istruzioni di montaggio / Instrucciones de montaje / Montage handleiding

A. Demontage / Dismantlement / Demontage / Démontage / Smontaggio / Desmontaje



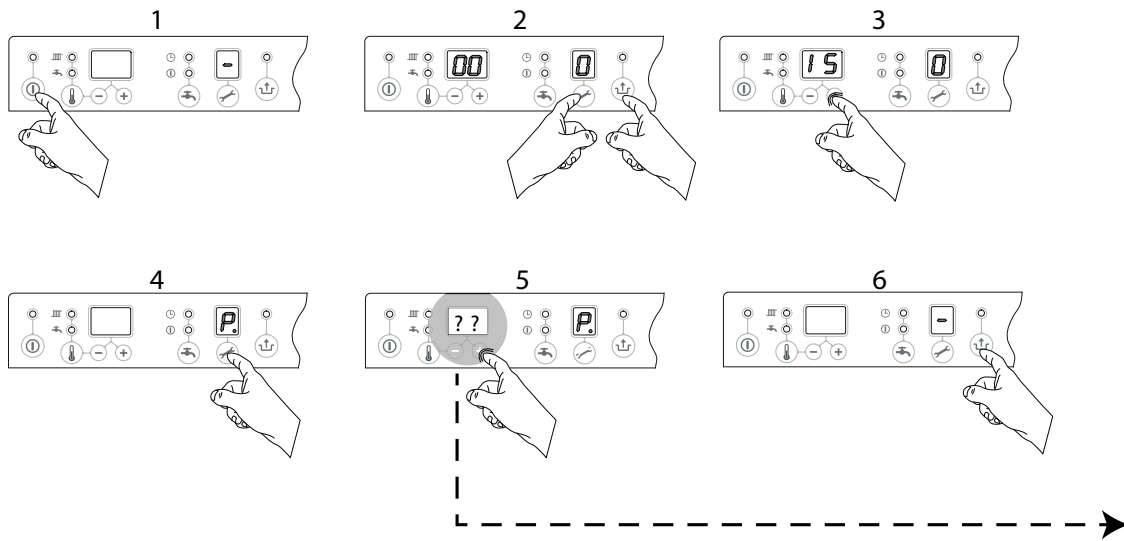
B. Assembly / Montage / Montage / Montagio / Montaje





Parameters

Parameter	Setting	*****AAV1			Description
		**	**	**	
0	Service code [15]				Access to installers settings, the service code must be entered (=15)
1	Installation type	1	1	1	0= combi 1= heating and domestic hot water via external storage tank 2= domestic hot water only 3= heating only
2	CH pump continuous	0	0	0	0= post-running pump only 1= pump continuously active 2= pump continuously active with external MIT switch 3= pump continuously active with ext. power saving switch
3	Set maximum CH power	99	85	99	Setting range value parameter c up to 85%
3	Max. capacity modulating CH pump	80	80	80	Setting range value parameter c up to 100%
4	Set maximum hot water power	80	80	75	Setting reach set value parameter d up to 100% (=99 - 1x)
5	Min. flow temperature of the heat line	25	25	25	Setting reach 10°C to set value parameter 5
5	Max setting value supply water temperature via operating panel	-7	-7	-7	Setting reach 30°C to 90°C
6	Min outdoor temperature of the heat line	-7	-7	-7	Setting reach -9 to 10°C
7	Max. outdoor temperature of the heat line	25	25	25	Setting reach 15°C to 30°C
8	CH pump post-running time after CH operation	1	1	1	Setting reach 0 to 15 minutes
9	CH pump post-running time after heating an external DHW tank	0	0	0	Setting reach 0 to 15 minutes (n/a for Combi unit)
A	Setting three-way valve	0	0	0	0= powered during CH operation 1= powered during hot water operation 2= three-way valve in CH setting if device not in rest 3= zone regulation 0= off 1= on
b	Booster	0	0	0	
c	Step modulation	1	1	1	0= step-by-step modulation off during CH operation 1= step-by-step modulation on during CH operation
c	Minimum rpm CH	30	30	20	Settings reach 20 - 50% (40%=propane)
c	Minimum capacity modulating CH pump / Activation external power saving switch input	40	40	40	Setting range 0,15 - (value parameter c) 0 = external power saving switch activated Other values - Min. capacity modulating pump
d	Minimum rpm hot water	30	30	20	Settings reach 20 - 50% (40%=propane)
E	Min. flow temperature at OT (OpenTherm) or RF thermostat	40	40	40	Settings reach 10 - 60°C



Parameter P.

Parameter P. = 0 S, M & L +

Parameter P. = 24 S +

Parameter P. = 30 M +

Parameter P. = 36 L +

